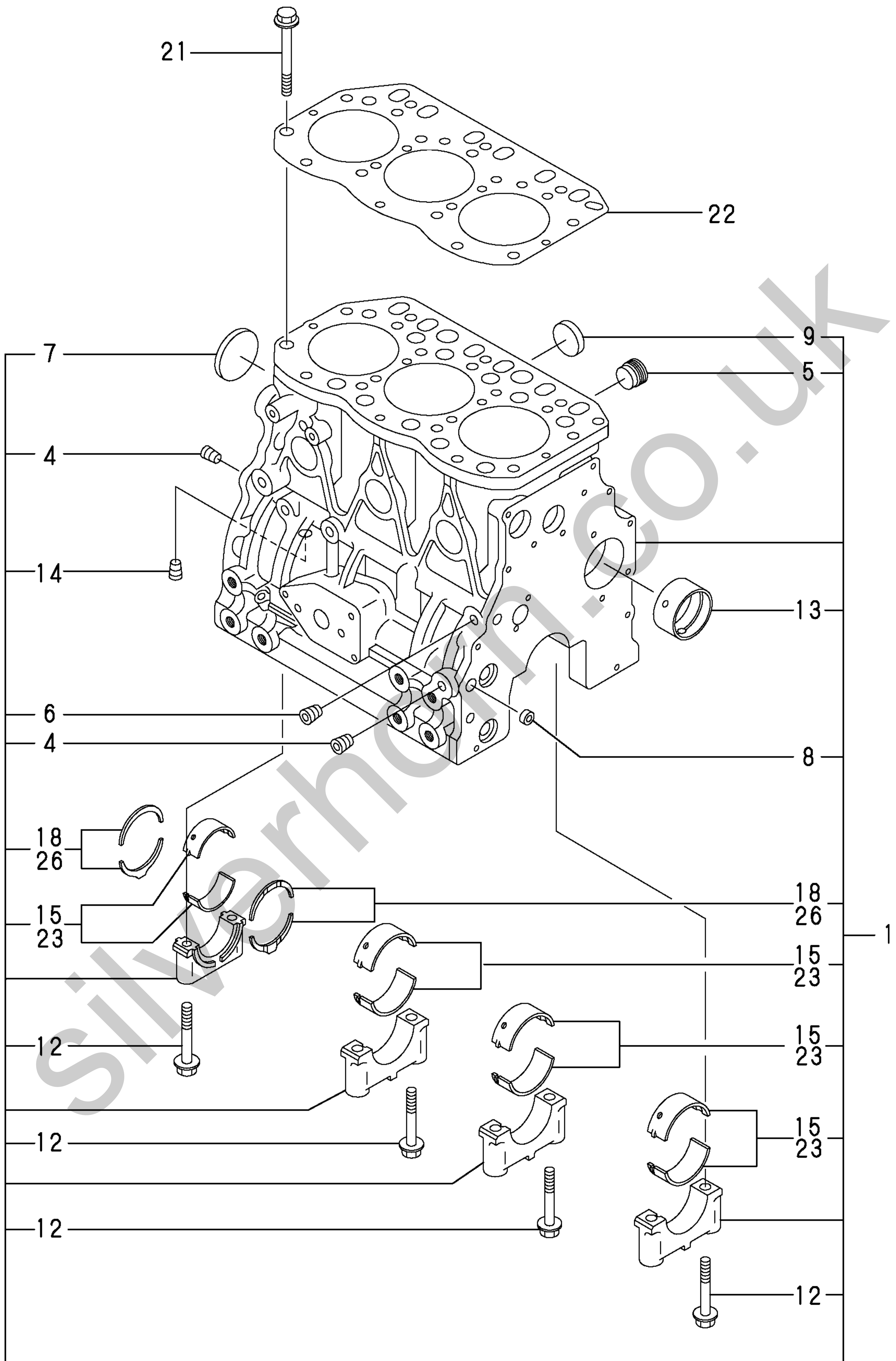


[Info]
PcNo=Y00B6392
PcName=3TNE78A-EBV
JpnUse=1
JpnSec1=fGf`fWf`
JpnSec2=-§ -
JpnSec3=TNE
JpnPreface=0
EngUse=1
EngSec1=ENGINE
EngSec2=SMALL VERTICAL (ViO)
EngSec3=TNE
EngPreface=0

Silverhorn.CO.UK

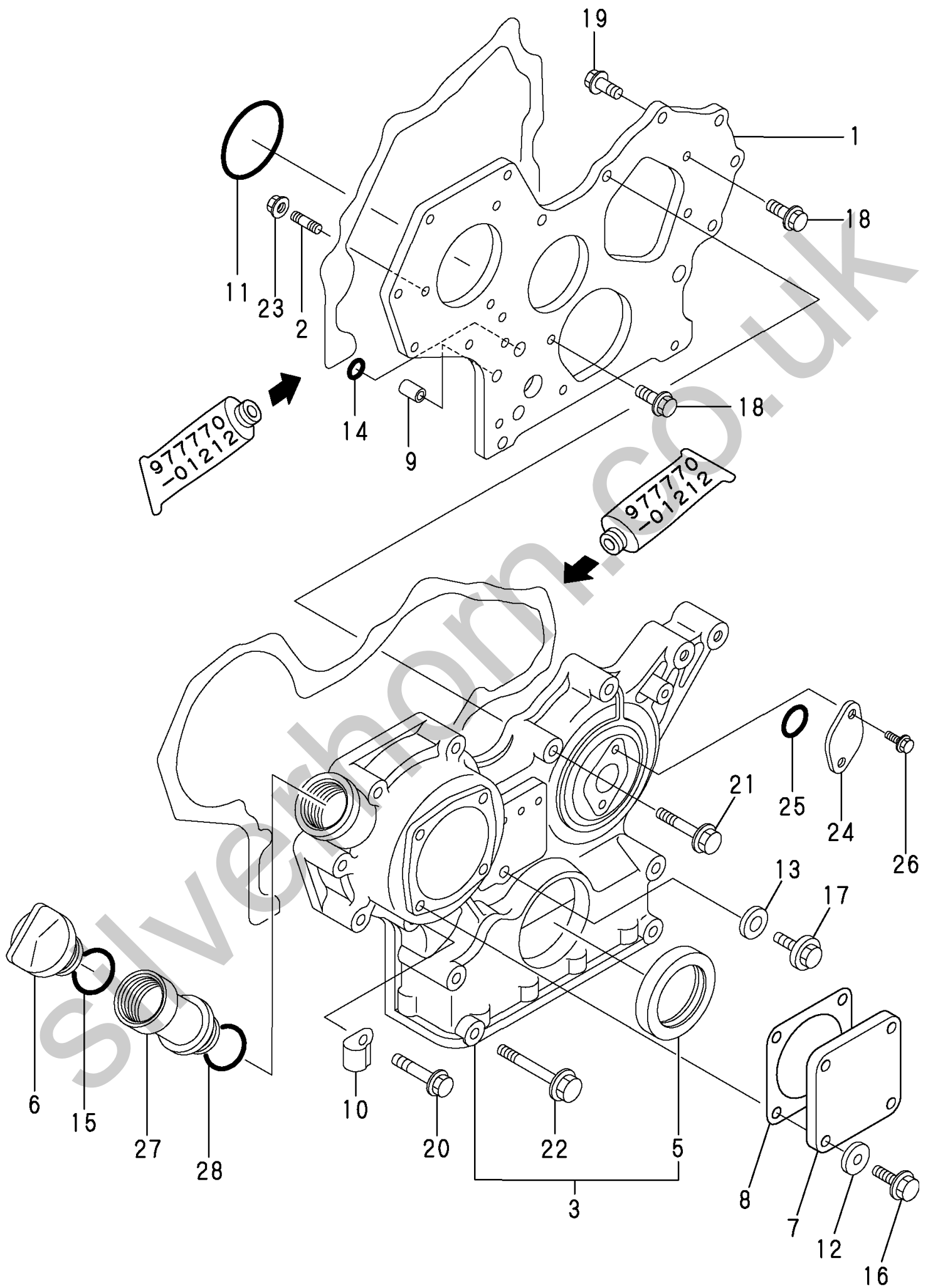
1,1,,719822-01560,, "BLOCK ASSY, CYLINDER",1,,,,,,,,,,,,,
4,3,,124160-01910,, "PLUG PT1/4",2,,,,,,,,,,,,,
5,3,,171051-01921,, PLUG,1,,,,,,,,,,,,,
6,3,,23876-010000,, "PLUG PT1/8, SCREW",1,,,,,,,,,,,,,
7,3,,129001-01250,, "PLUG 50",1,,,,,,,,,,,,,
8,3,,27241-120000,, "PLUG 12",2,,,,,,,,,,,,,
9,3,,27241-300000,, "PLUG 30",6,,,,,,,,,,,,,
12,3,,119620-02020,, BOLT,8,,,,,,,,,,,,,
13,3,,129795-02411,, "BUSH, CAMSHAFT",1,,,,,,,,,,,,,
14,3,,124160-01910,, "PLUG PT1/4",1,,,,,,,,,,,,,
15,2,,119810-02800,, "MAIN BEARING",4,,,,,,,,,,,,,
18,2,,119810-02930,, "BEARING, THRUST",1,,,,,,,,,,,,,I
21,1,,119810-01200,, "BOLT, CYL. HEAD",14,,,,,,,,,,,,,
22,1,,119818-01330,, "GASKET, CYL. HEAD",1,,,,,,,,,,,,,
23,1,,119810-02870,, "MAIN BEARING US=0.25",4,,,,,,,,,1,,,,,,,,,
26,1,,119810-02940,, "BEARING, THRUST .250S",2,,,,,,,,,2,,,,,,,,,

Silverhorn.CO.UK



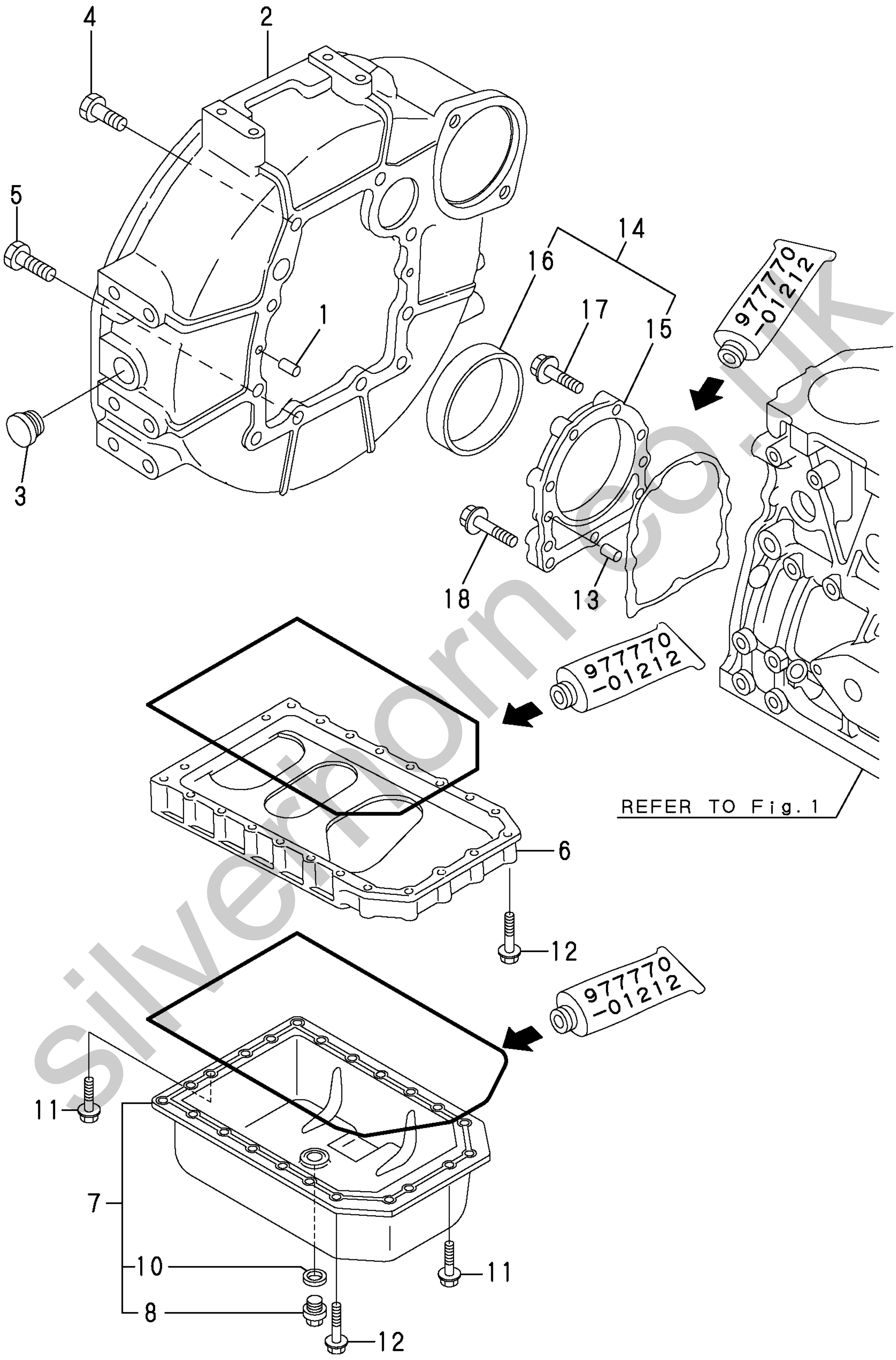
1,1,,129400-01520,, "FLANGE,GEARS HOUSING",1,,,,,,,,,,,,,
 2,1,,121450-01560,, "STUD M 8X 22",3,,,,,,,,,,,,,
 3,1,,719810-01500,, "HOUSING ASSY, GEAR",1,,,,,,,,,,,,,
 5,2,,129795-01800,, "SEAL, OIL",1,,,,,,,,,,,,,
 6,1,,124160-01751,, "COVER,FILLER",1,,,,,,,,,,,,,
 7,1,,124240-01871,, "COVER, HO-P",1,,,,,,,,,,,,,
 8,1,,124240-01883,, "GASKET, (NON-ASB.)",1,,,,,,,,,,,,,
 9,1,,129795-01950,, "PIPE, KNOCK L=18",2,,,,,,,,,,,,,
 10,1,,129150-03100,, "RETAINER,1",,,,,,,,,,,,,,
 11,1,,121850-51960,, "O-RING, F.I.PUMP",1,,,,,,,,,,,,,
 12,1,,22190-080002,, "SEAL WASHER 8S",4,,,,,,,,,,,,,
 13,1,,22190-080002,, "SEAL WASHER 8S",1,,,,,,,,,,,,,
 14,1,,24311-000160,, "O-RING 1A P-16.0",2,,,,,,,,,,,,,
 14-1,1,,119609-32040,, "O-RING P16",2,,,,,R,TE-01299,E/#52199,,,,,I
 15,1,,24311-000320,, "O-RING 1A P-32.0",1,,,,,,,,,,,,,
 16,1,,26106-080122,, "BOLT M 8X 12 PLATED",4,,,,,,,,,,,,,
 17,1,,26106-080162,, "BOLT M 8X 16 PLATED",1,,,,,,,,,,,,,
 18,1,,26106-080162,, "BOLT M 8X 16 PLATED",3,,,,,,,,,,,,,
 19,1,,26106-080202,, "BOLT M 8X 20 PLATED",2,,,,,,,,,,,,,
 20,1,,26106-080452,, "BOLT M 8X 45 PLATED",6,,,,,,,,,,,,,
 21,1,,26106-080552,, "BOLT M 8X 55 PLATED",3,,,,,,,,,,,,,
 22,1,,129001-91841,, "BOLT M 8X 85 PLATED",4,,,,,,,,,,,,,
 23,1,,26366-080002,, "NUT M 8",3,,,,,,,,,,,,,
 23-1,1,,26306-080002,, "NUT,3,,,,,N,JH-01017,E/#50586,,,,,
 24,1,,121023-01550,, "COVER, BLIND",1,,,,,,,,,,,,,
 25,1,,24341-000240,, "O-RING 1A S-24.0",1,,,,,,,,,,,,,
 26,1,,26106-060162,, "BOLT M 6X 16 PLATED",2,,,,,,,,,,,,,
 27,1,,171031-11741,, "PIPE,1",,,,,,,,,,,,,,
 28,1,,24311-000320,, "O-RING 1A P-32.0",1,,,,,,,,,,,,,





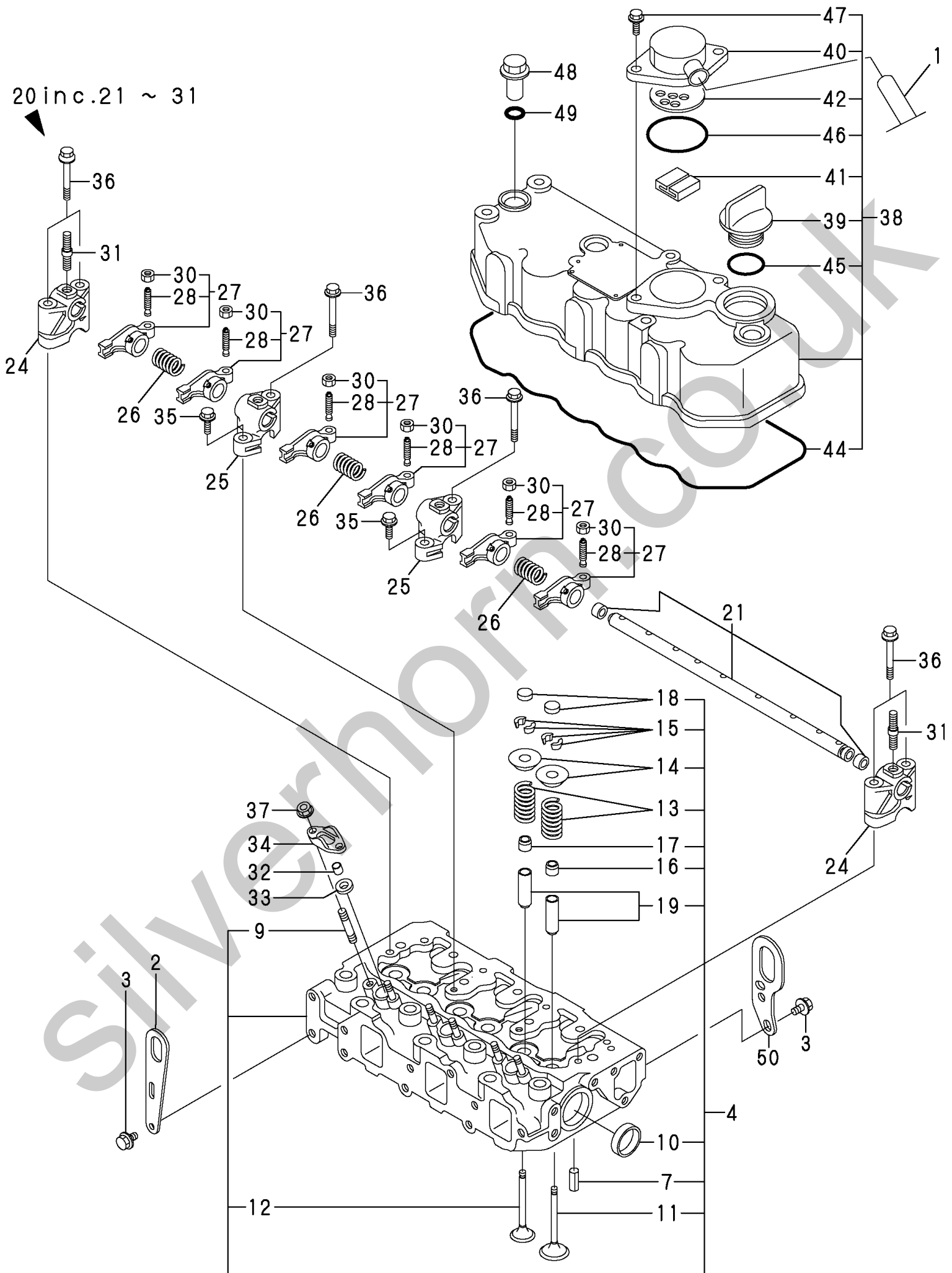
1,1,,129100-01580,, "PARALLEL PIN 8X16",2,,,,,,,,,,,,,,,,,,,,,
2,1,,129612-01600,, "HOUSING, FLYWHEEL",1,,,,,,,,,,,,,,,,,,,,,
3,1,,119620-01750,, "CAP, FLYWHEEL COVER",1,,,,,,,,,,,,,,,,,,,,,
4,1,,26206-100252,, "BOLT M10X25",6,,,,,,,,,,,,,,,,,,,,,
5,1,,26206-100302,, "BOLT M10X30",4,,,,,,,,,,,,,,,,,,,,,
6,1,,119810-01730,, "SPACER, L.O. SUMP",1,,,,,,,,,,,,,,,,,,,,,
7,1,,119810-01790,, "SUMP ASSY, OIL",1,,,,,,,,,,,,,,,,,,,,,
8,2,,119640-01640,, "DRAIN PLUG M22",1,,,,,,,,,,,,,,,,,,,,,
10,2,,22190-220002,, "SEAL WASHER 22S",1,,,,,,,,,,,,,,,,,,,,,
11,1,,26106-080162,, "BOLT M 8X 16 PLATED",6,,,,,,,,,,,,,,,,,,,,,
12,1,,26106-080452,, "BOLT M 8X 45 PLATED",22,,,,,,,,,,,,,,,,,,,,,
13,1,,129100-01580,, "PARALLEL PIN 8X16",2,,,,,,,,,,,,,,,,,,,,,
14,1,,719810-01650,, "CASE ASSY, OIL SEAL",1,,,,,,,,,,,,,,,,,,,,,
15,2,,119860-01650,, "CASE, OIL SEAL",1,,,,,,,,,,,,,,,,,,,,,
16,2,,119810-01780,, "SEAL, OIL",1,,,,,,,,,,,,,,,,,,,,,
17,1,,129486-01670,, "BOLT M8X30, COLLAR HD",6,,,,,,,,,,,,,,,,,,,,,
18,1,,26106-080352,, "BOLT M 8X 35 PLATED",3,,,,,,,,,,,,,,,,,,,,,

Silverhorn.CO.UK



1,1,,23065-160800,,PIPE,1,,,,,,,,,,,,,
2,1,,124736-07900,,,"LIFTER, ENGINE",1,,,,,,,,,,,,,
3,1,,26106-080142,,,"BOLT M 8X 14 PLATED",4,,,,,,,,,,,,,
4,1,,719812-11700,,,"HEAD ASSY, CYLINDER",1,,,,,,,,,,,,,
7,2,,22351-060012,,,"SPRING PIN 6X12",2,,,,,,,,,,,,,
9,2,,26216-060302,,,"STUD M 6X 30 PLATED",6,,,,,,,,,,,,,
10,2,,27241-400000,,,"PLUG 40",2,,,,,,,,,,,,,
11,2,,119810-11100,,,"VALVE, SUCTION",3,,,,,,,,,,,,,
12,2,,119810-11110,,,"VALVE, EXHAUST",3,,,,,,,,,,,,,
13,2,,119810-11120,,,"SPRING, VALVE",6,,,,,,,,,,,,,
14,2,,104211-11180,,,"RETAINER, SPRING",6,,,,,,,,,,,,,
15,2,,27310-070001,,,"COTTER ASSY",6,,,,,,,,,,,,,
16,2,,124160-11340,,,"SEAL, VALVE STEM",3,,,,,,,,,,,,,
17,2,,124950-11340,,,"SEAL, VALVE STEM",3,,,,,,,,,,,,,
18,2,,104211-11370,,,"CAP, VALVE",6,,,,,,,,,,,,,
19,2,,124060-11800,,,"GUIDE, VALVE",6,,,,,,,,,1,,,,,,,,,,,,,
20,1,,119865-11210,,,"SUPPORT ASSY, ROCKER",1,,,,,,,,,,,,,
21,2,,119810-11240,,,"SHAFT, ROCKER ARM",1,,,,,,,,,,,,,
24,2,,129155-11260,,,"SUPPORT, ROCKER ARM",2,,,,,,,,,,,,,
25,2,,129155-11270,,,"SUPPORT, ROCKER ARM",2,,,,,,,,,,,,,
26,2,,129150-11280,,,"SPRING",3,,,,,,,,,,,,,
27,2,,719810-11660,,,"ARM ASSY, ROCKER",6,,,,,,,,,,,,,
28,3,,129150-11230,,,"SCREW, VALVE",6,,,,,,,,,,,,,
30,3,,129150-11750,,,"NUT M8XP1.0",6,,,,,,,,,,,,,
31,2,,26226-080182,,,"STUD M 8X 18 PLATED",3,,,,,,,,,,,,,
31-1,2,,119802-11280,,,"STUD,3,,,,,R,TE-01429,E/#52348,,,,,I
32,1,,119625-11870,,,"PROTECTOR, NOZZLE",3,,,,,,,,,,,,,
33,1,,119625-11880,,,"SEAT, NOZZLE",3,,,,,,,,,,,,,
34,1,,119625-11900,,,"RETAINER",3,,,,,,,,,,,,,
35,1,,26106-080252,,,"BOLT M 8X 25 PLATED",2,,,,,,,,,,,,,
36,1,,26106-080502,,,"BOLT M 8X 50 PLATED",6,,,,,,,,,,,,,
37,1,,26366-060002,,,"NUT M 6",6,,,,,,,,,,,,,
38,1,,719810-11521,,,"BONNET ASSY",1,,,,,,,,,,,,,
39,2,,124160-01751,,,"COVER,FILLER",1,,,,,,,,,,,,,
40,2,,129150-03020,,,"COVER, BREATHER",1,,,,,,,,,,,,,
41,2,,129150-03070,,,"BAFFLE, BREATHER",1,,,,,,,,,,,,,
42,2,,129150-03080,,,"PLATE, SHELTER",1,,,,,,,,,,,,,
44,2,,119865-11310,,,"GASKET, BONNET",1,,,,,,,,,,,,,
45,2,,24311-000320,,,"O-RING 1A P-32.0",1,,,,,,,,,,,,,
46,2,,24341-000500,,,"O-RING 1A S-50.0",1,,,,,,,,,,,,,
47,2,,26106-080162,,,"BOLT M 8X 16 PLATED",2,,,,,,,,,,,,,
48,1,,124160-11360,,,"KNOB",3,,,,,,,,,,,,,
49,1,,24311-000120,,,"O-RING 1A P 12.0",3,,,,,,,,,,,,,
50,1,,119260-07900,,,"LIFTER, ENGINE",1,,,,,,,,,,,,,

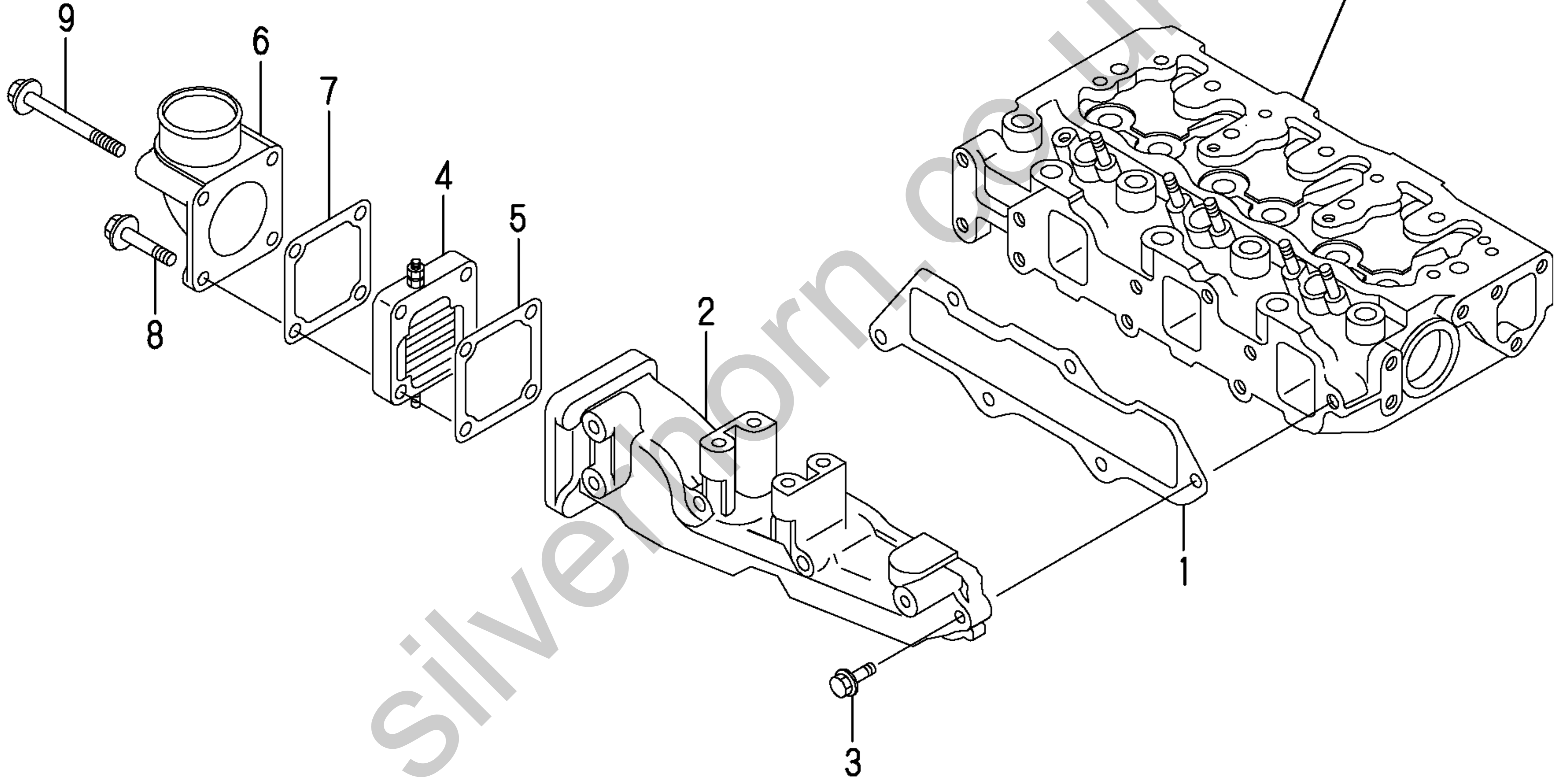
20 inc. 21 ~ 31



1,1,,119813-12110,, "GASKET,INT. MANIFOLD",1,,,,,,,,,,,,,
2,1,,119813-12100,, "MANIFOLD, INTAKE",1,,,,,,,,,,,,,
3,1,,26106-080252,, "BOLT M 8X 25 PLATED",6,,,,,,,,,,,,,
4,1,,129100-77500,, "HEATER, AIR",1,,,,,,,,,,,,,
5,1,,129150-77511,, "GASKET, (NON-ASB.)",1,,,,,,,,,,,,,
6,1,,171340-77520,, BEND,1,,,,,,,,,,,,,
7,1,,129100-77510,, "GASKET, AIR HEATER",1,,,,,,,,,,,,,
8,1,,26106-080402,, "BOLT M 8X 40 PLATED",2,,,,,,,,,,,,,
9,1,,26106-080802,, "BOLT M 8X 80 PLATED",2,,,,,,,,,,,,,

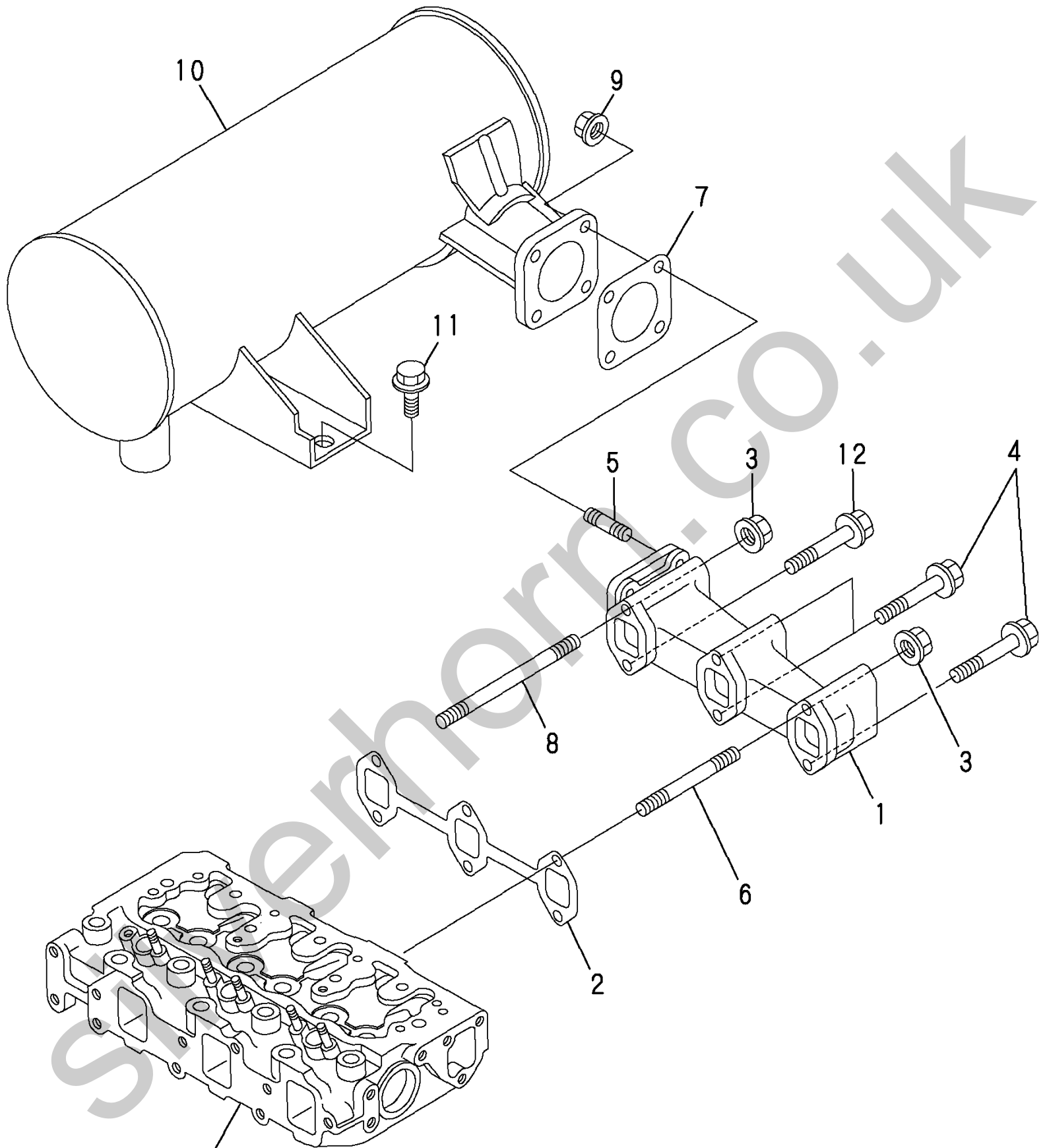
Silverhorn.CO.UK

REFER TO Fig. 4



1,1,,119840-13100,, "MANIFOLD,EXHAUST",1,,,,,,,,,,,,,
2,1,,119810-13110,, "GASKET, EXH.MANIFOLD",1,,,,,,,,,,,,,
3,1,,26366-080002,, "NUT M 8",2,,,,,,,,,,,,,
3-1,1,,26306-080002,, NUT,2,,,,,,N,,JH-01017,E/#50586,,,,,,
4,1,,26106-080602,, "BOLT M 8X 60 PLATED",3,,,,,,,,,,,,,
4-1,1,,119802-13640,, "BOLT, M8X60",3,,,,,,N,,TE-02073,E/#54315,,,,,,I
5,1,,119131-18320,, "BOLT M 8X 22",4,,,,,,,,,,,,,
6,1,,26216-080602,, "STUD M 8X 60 PLATED",1,,,,,,,,,,,,,
6-1,1,,119802-13740,, "STUD M 8X 60",1,,,,,,N,,TE-02073,E/#54315,,,,,,I
7,1,,124701-11911,, "GASKET, (NON-ASB.)",1,,,,,,,,,,,,,
8,1,,26216-080802,, "STUD M 8X 80 PLATED",1,,,,,,,,,,,,,
8-1,1,,123900-13610,, "STUD BOLT M 8X 80",1,,,,,,N,,TE-02073,E/#54315,,,,,,I
9,1,,26366-080002,, "NUT M 8",4,,,,,,,,,,,,,
9-1,1,,26306-080002,, NUT,4,,,,,,N,,JH-01017,E/#50586,,,,,,
10,1,,119813-13550,, SILENCER,1,,,,,,,,,,,,,
11,1,,26106-100182,, "BOLT M10X 18 PLATED",2,,,,,,,,,,,,,
12,1,,26106-080802,, "BOLT M 8X 80 PLATED",1,,,,,,,,,,,,,
12-1,1,,123900-13630,, "BOLT 8X80",1,,,,,,N,,TE-02073,E/#54315,,,,,,I

Silverhorn.CO.UK

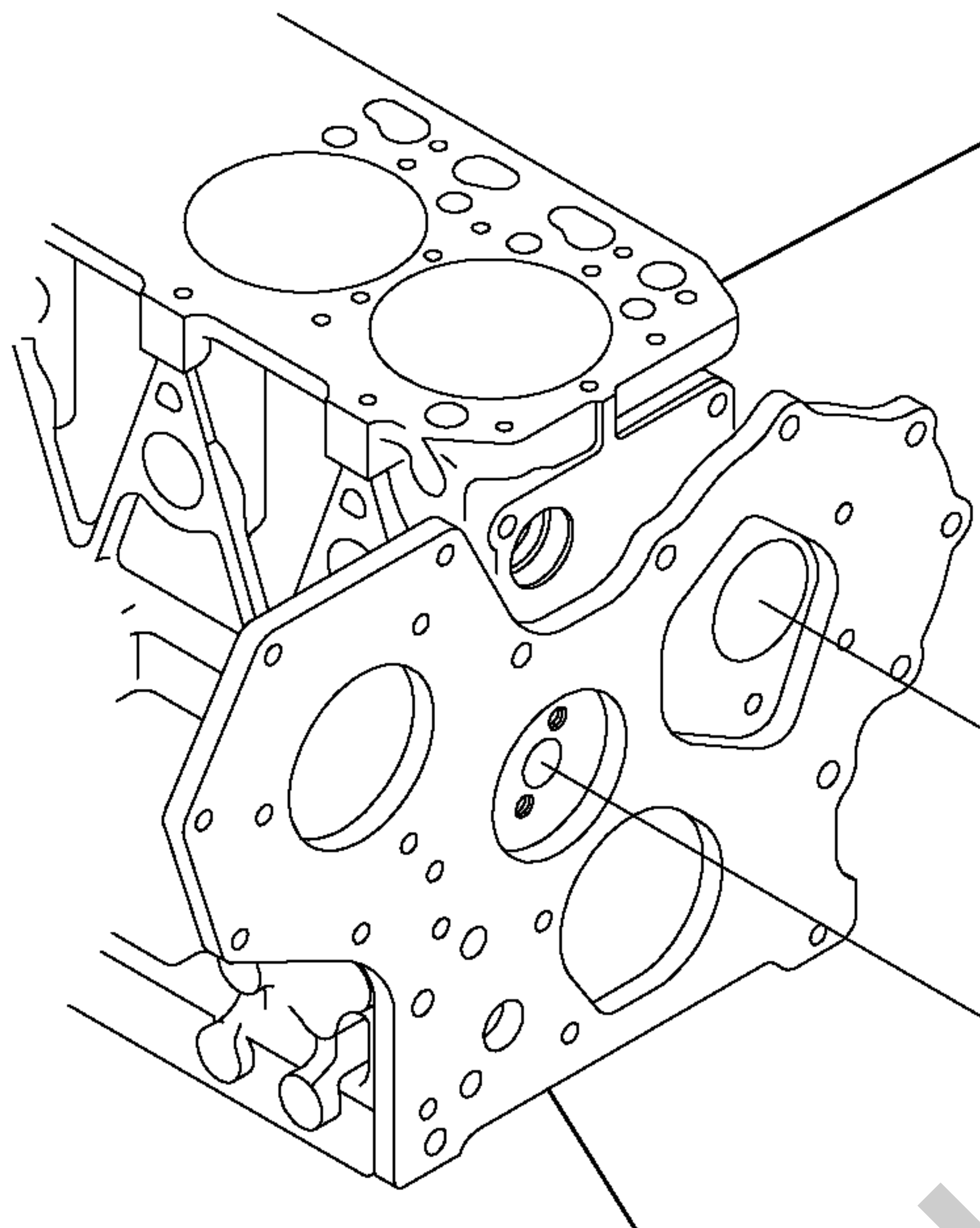


REFER TO Fig. 4

1,1,,129150-14200,,TAPPET,6,,,,,,,,,,,,,,,,,,,,,
2,1,,119810-14400,,,"ROD, PUSH",6,,,,,,,,,,,,,,,,,,,,,
3,1,,119810-14580,,,"CAMSHAFT ASSY",1,,,,,,,,,,,,,,,,,,,,,
4,2,,129150-02450,,,"METAL,THRUST(CAM",1,,,,,,,,,,,,,,,,,,,,,
6,2,,129150-14101,,,"GEAR, CAMSHAFT",1,,,,,,,,,,,,,,,,,,,,,
7,2,,22512-070140,,,"KEY 7X 14",1,,,,,,,,,,,,,,,,,,,,,
8,1,,26106-080142,,,"BOLT M 8X 14 PLATED",2,,,,,,,,,,,,,,,,,,,,,
9,1,,129100-25061,,,"SHAFT, IDLE GEAR",1,,,,,,,,,,,,,,,,,,,,,
10,1,,129150-25101,,,"GEAR W/BUSH",1,,,,,,,,,,,,,,,,,,,,,
13,2,,129150-25920,,,"BUSH, IDLE GEAR",1,,,,,,,,,1,,,,,,,,,,,,,
14,1,,26106-080452,,,"BOLT M 8X 45 PLATED",2,,,,,,,,,,,,,,,,,,,,,

Silverhorn.CO.UK

REFER TO Fig. 1



REFER TO Fig. 2

2

1

2

1

7

3

4

6

10

13

9

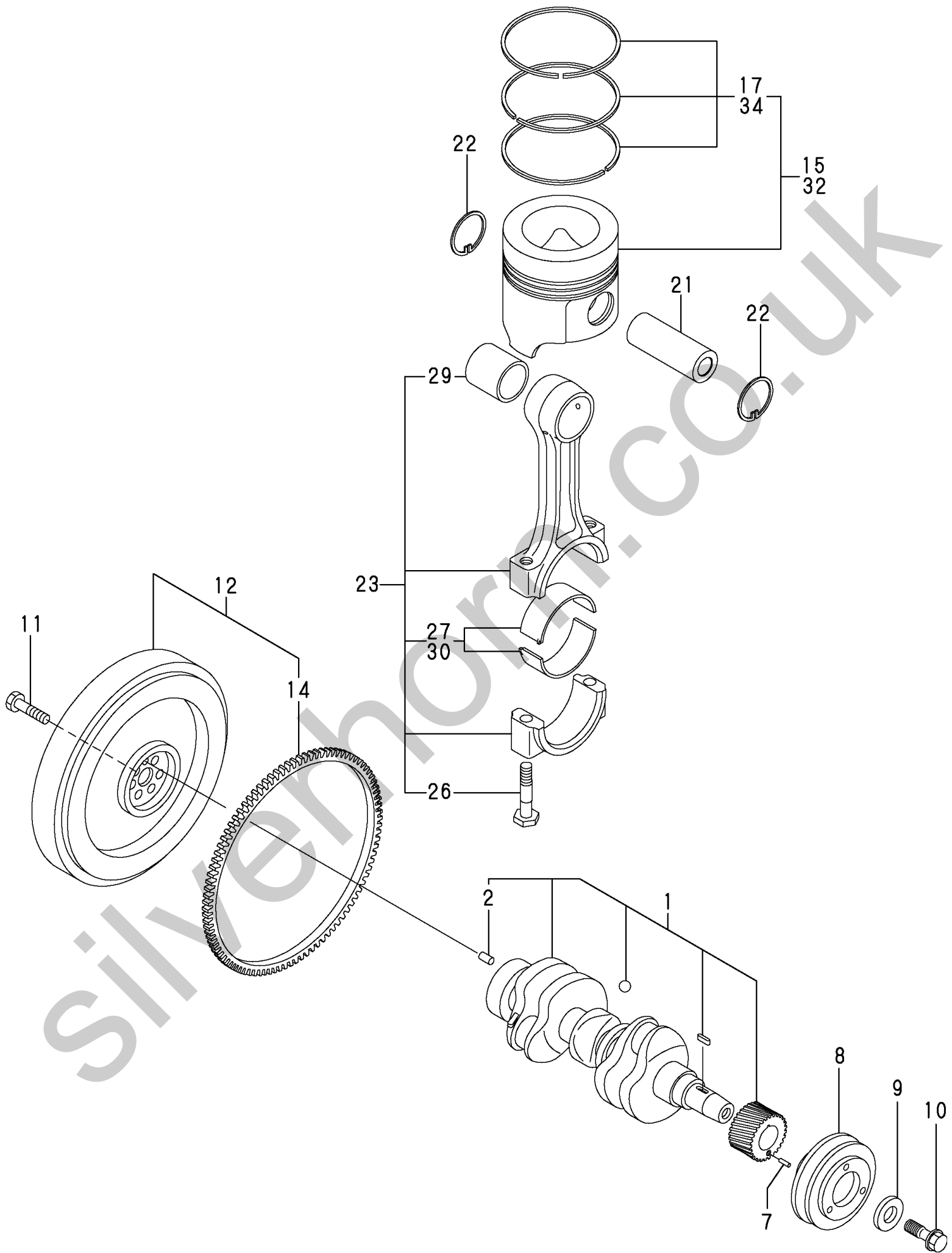
14

8

Silverhills.CO.UK

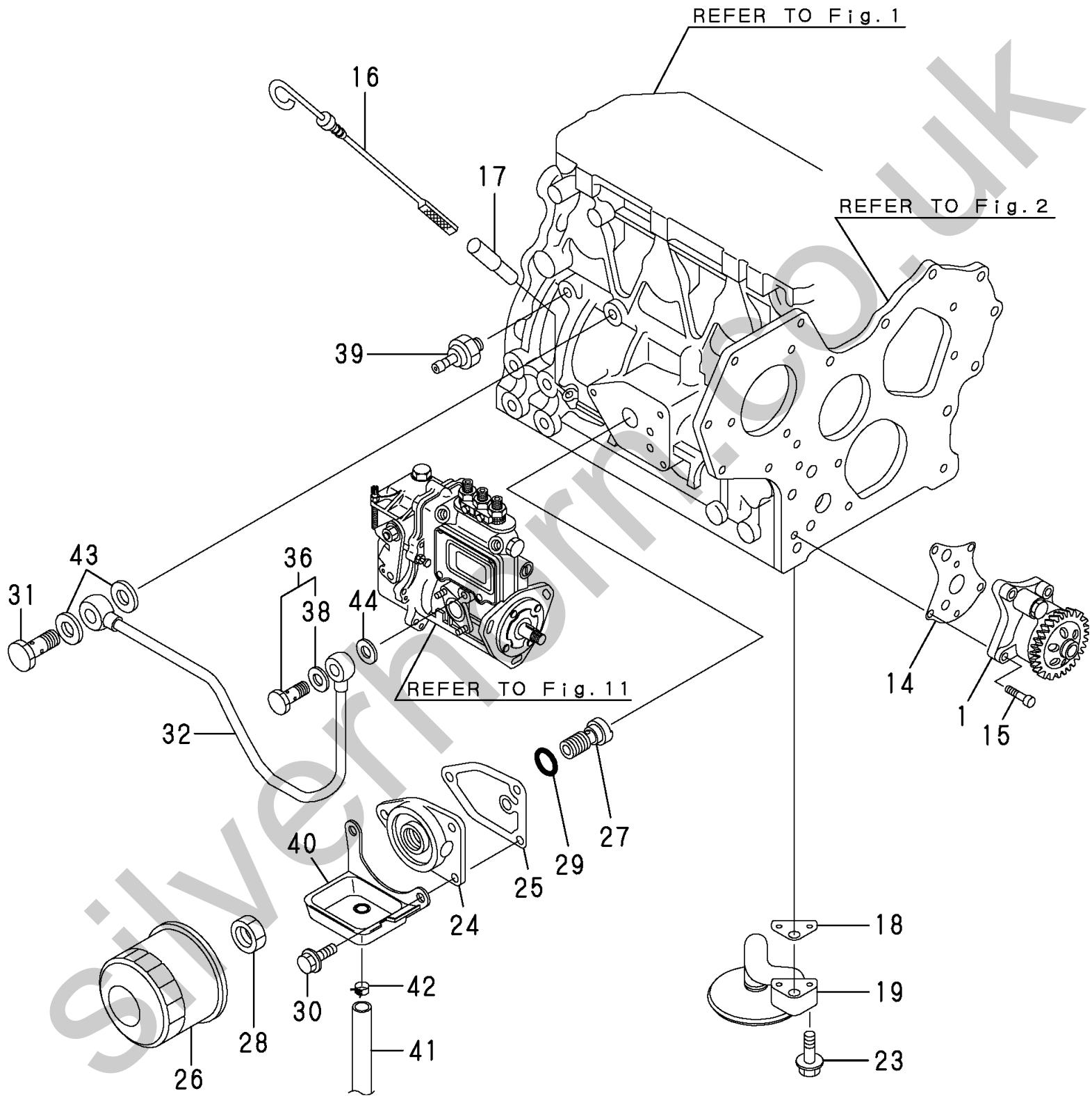
1,1,,119813-21000,, "CRANKSHAFT ASSY",1,,,,,,,,,,,,,,,,,,,,,
 2,2,,129100-01580,, "PARALLEL PIN 8X16",1,,,,,,,,,,,,,,,,,,,,,
 7,1,,22351-040010,, "SPRING PIN 4X10",1,,,,,,,,,,,,,,,,,,,,,
 8,1,,171301-21650,, "V-PULLEY, CRANKSHAFT",1,,,,,,,,,,,,,,,,,,,,,
 9,1,,129795-21661,, "WASHER",1,,,,,,,,,,,,,,,,,,,,,,,,,,,,,
 10,1,,121850-21680,, "BOLT, V-PULLEY",1,,,,,,,,,,,,,,,,,,,,,
 11,1,,121111-21501,, "BOLT, FLYWHEEL",6,,,,,,,,,,,,,,,,,,,,,
 12,1,,171325-21590,, "FLYWHEEL W/GEAR",1,,,,,,,,,,,,,,,,,,,,,
 14,2,,119865-21600,, "GEAR, RING",1,,,,,,,,,,,,,,,,,,,,,,,,,,,,,
 15,1,,119818-22080,, "PISTON W/RINGS",3,,,,,,,,,,,,,,,,,,,,,
 17,2,,119818-22500,, "RING SET",3,,,,,,,,,,,,,,,,,,,,,,,,,,,,,
 21,1,,119813-22300,, "PIN, PISTON",3,,,,,,,,,,,,,,,,,,,,,,,,,,,,,
 22,1,,129792-22400,, "CIRCLIP 23",6,,,,,,,,,,,,,,,,,,,,,,,,,,,,,
 23,1,,719810-23100,, "ROD ASSY, CONNECTING",3,,,,,,,,,,,,,,,,,,,,,
 26,2,,119810-23200,, "BOLT, CONNECTING ROD",6,,,,,,,,,,,,,,,,,,,,,
 27,2,,119810-23600,, "BEARING, CRANKPIN",3,,,,,,,,,,,,,,,,,,,,,
 29,2,,119810-23910,, "BUSH, PISTON PIN",3,,,,,,,,,1,,,,,,,,,,,,,
 30,1,,119810-23610,, "BEARING, PIN U.S=0.25",3,,,,,,,,,2,,,,,,,,,,,,,
 32,1,,119818-22900,, "PISTON W/RING OS=.25",3,,,,,,,,,3,,,,,,,,,,,,,
 34,2,,119818-22950,, "RING SET O.S=0.25",3,,,,,,,,,3,,,,,,,,,,,,,

Silverhorn.CO.UK



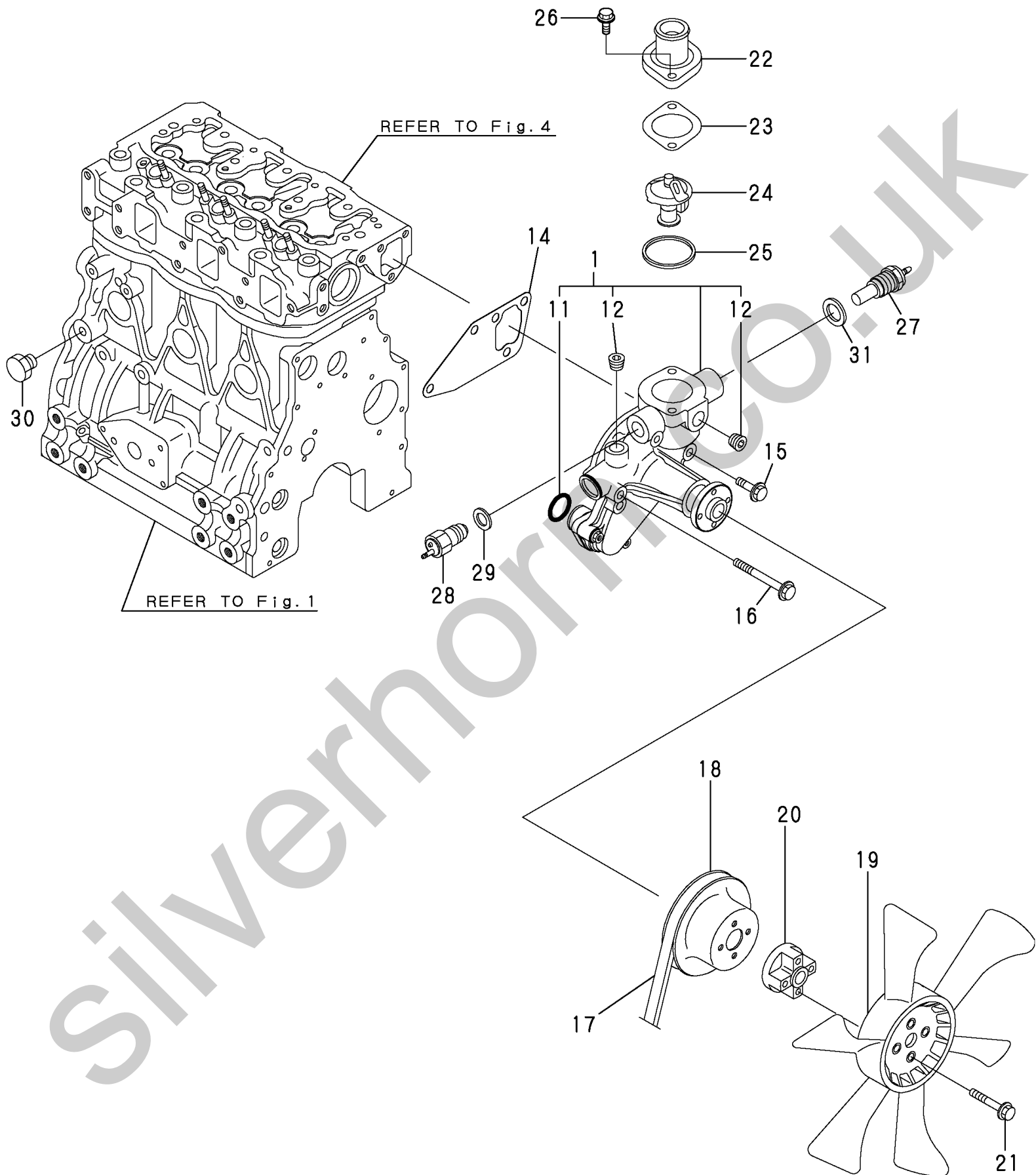
1,1,,129001-32001,, "PUMP ASSY, LUB. OIL",1,,,,,,,,,,,,,
14,1,,129150-32020,, "GASKET, L.O. PUMP",1,,,,,,,,,,,,,
15,1,,26450-060252,, "BOLT M 6X 25",4,,,,,,,,,,,,,
16,1,,119640-34800,, "DIPSTIC",1,,,,,,,,,,,,,
17,1,,121520-34810,, "GUIDE, DIPSTICK",1,,,,,,,,,,,,,
18,1,,129150-35041,, "GASKET, (NON-ASB.)",1,,,,,,,,,,,,,
19,1,,119810-35401,, "PIPE ASSY, OIL INLET",1,,,,,,,,,,,,,
23,1,,26106-080352,, "BOLT M 8X 35 PLATED",2,,,,,,,,,,,,,
24,1,,129150-35101,, "BRACKET, STRAINER",1,,,,,,,,,,,,,
25,1,,129150-35111,, "GASKET, (NON-ASB.)",1,,,,,,,,,,,,,
26,1,,129150-35151,, "FILTER 80X80L",1,,,,,,,,,,,,,
27,1,,129001-35300,, "BOLT,LUB.O. STRAINER",1,,,,,,,,,,,,,
28,1,,129150-35350,, "NUT",1,,,,,,,,,,,,,
29,1,,24311-000160,, "O-RING 1A P-16.0",1,,,,,,,,,,,,,
30,1,,26106-080222,, "BOLT M 8X 22 PLATED",3,,,,,,,,,,,,,
31,1,,124160-39140,, "BOLT 10, PIPE JOINT",1,,,,,,,,,,,,,
32,1,,119810-39200,, "PIPE ASSY, LUB. OIL",1,,,,,,,,,,,,,
36,1,,124550-59830,, "BOLT W/ SEAL WASHER",1,,,,,,,,,,,,,
38,2,,22190-080002,, "SEAL WASHER 8S",1,,,,,,,,,,,,,
39,1,,114250-39450,, "SWITCH, (0.5KG)L.O.",1,,,,,,,,,,,,,
40,1,,129211-35802,, "SAUCER, L.O.",1,,,,,,,,,,,,,
41,1,,23065-120250,, "HOSE 12* 250",1,,,,,,,,,,,,,
42,1,,23080-014000,, "CLAMP 14",1,,,,,,,,,,,,,
43,1,,22190-100002,, "SEAL WASHER 10S",2,,,,,,,,,,,,,
44,1,,22190-080002,, "SEAL WASHER 8S",1,,,,,,,,,,,,,

Silverhorn.CO.UK



1,1,,119810-42001,, "PUMP,C.W.(NON-ASB.)",1,,,,,,,,,,,,,
 11,2,,129150-42320,,O-RING,1,,,,,,,,,,,,,
 12,2,,23876-030000,, "PLUG PT3/8,SCREW",2,,,,,,,,,,,,,
 14,1,,129486-42050,,GASKET,1,,,,,,,,,,,,,
 15,1,,26106-080352,, "BOLT M 8X 35 PLATED",1,,,,,,,,,,,,,
 16,1,,26106-080552,, "BOLT M 8X 55 PLATED",3,,,,,,,,,,,,,
 17,1,,129211-42290,,V-BELT,1,,,,,,,,,,,,,
 18,1,,129403-42380,,V-PULLEY(D=110),1,,,,,,,,,,,,,
 19,1,,171440-44740,, "FAN, COOLING D=350",1,,,,,,,,,,,,,
 20,1,,129030-44760,,SPACER,1,,,,,,,,,,,,,
 21,1,,26106-060502,, "BOLT M 6X 50 PLATED",4,,,,,,,,,,,,,
 22,1,,129350-49530,, "COVER, THERMOSTAT",1,,,,,,,,,,,,,
 23,1,,129795-49551,, "GASKET, (NON-ASB.)",1,,,,,,,,,,,,,
 24,1,,129155-49800,,THERMOSTAT,1,,,,,,,,,,,,,
 24-1,1,,129155-49801,, "THERMOSTAT (71)",1,,,,,N,,TE-03001,E/#56491,,,,,I
 25,1,,129150-49811,, "GASKET, (NON-ASB.)",1,,,,,,,,,,,,,
 26,1,,26106-080222,, "BOLT M 8X 22 PLATED",2,,,,,,,,,,,,,
 27,1,,171056-49351,,SENSER,1,,,,,,,,,,,,,
 28,1,,121250-44901,, "SWITCH, THERMO(110 β C)",1,,,,,,,,,,,,,
 29,1,,124465-44950,, "GASKET 16",1,,,,,,,,,,,,,
 30,1,,171056-49120,, "PLUG, DRAIN",1,,,,,,,,,,,,,
 31,1,,129150-49360,, "GASKET 10",1,,,,,,,,,,,,,

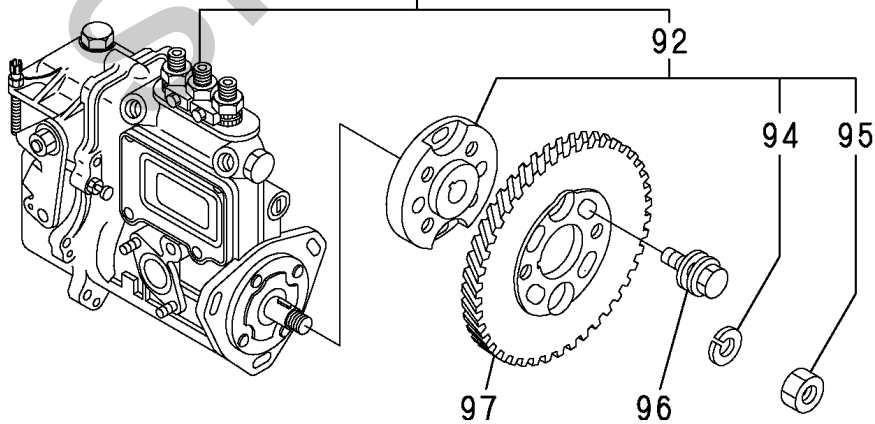
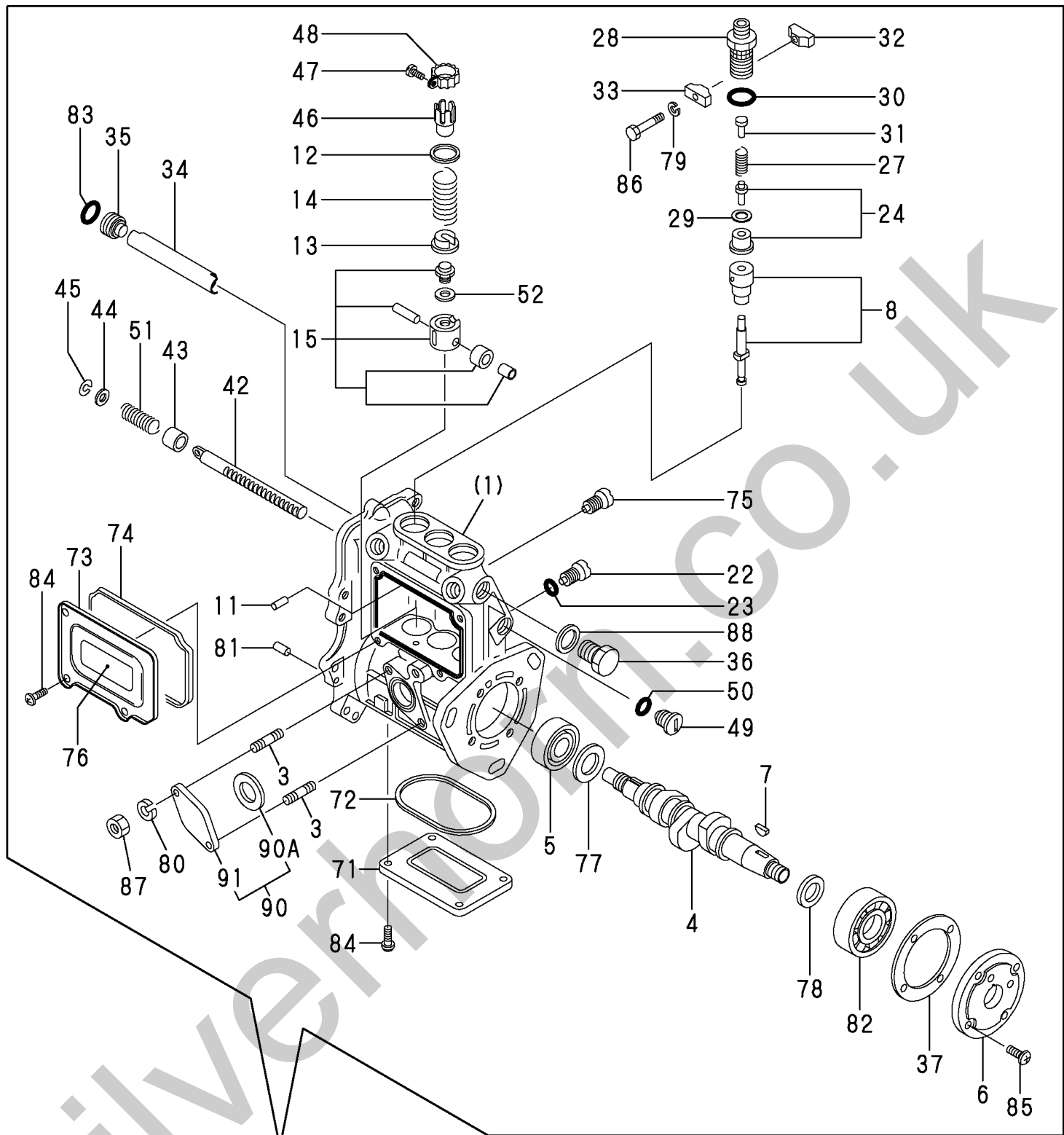
Silverhorn.CO.UK



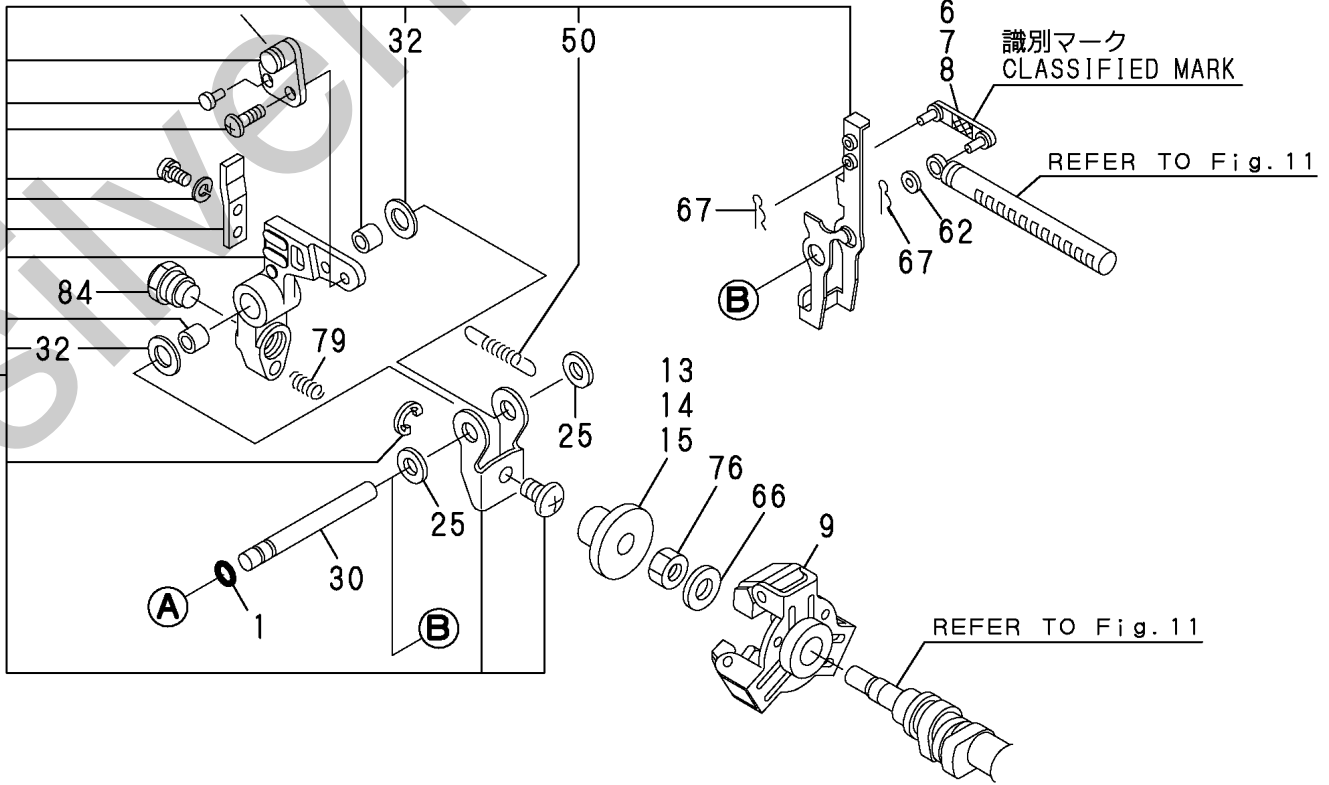
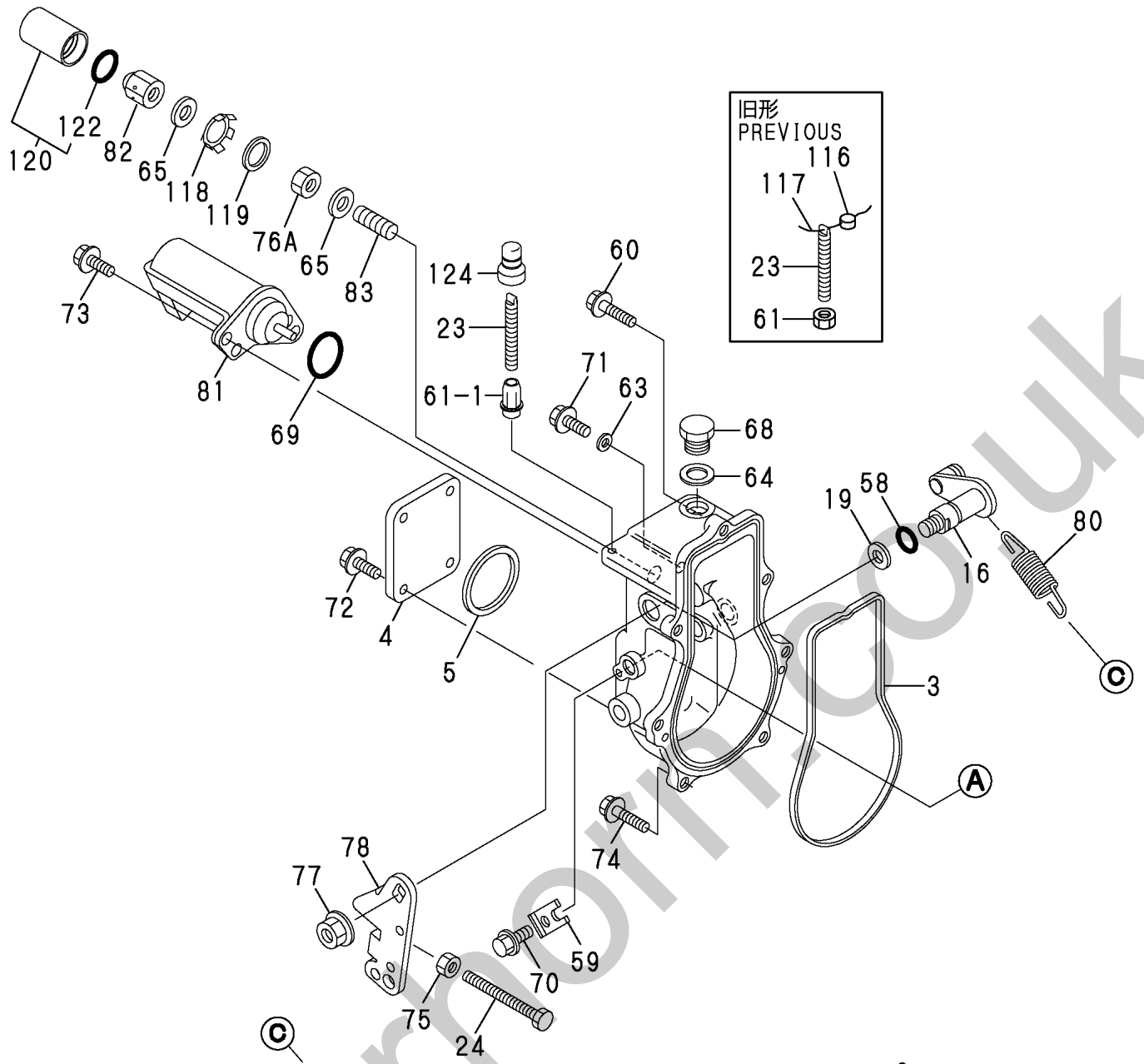
1,1,,719818-51460,, "FUEL INJECTION PUMP",1,,,,,,,,,1,,,,,,,,,
3,2,,129155-51020,, "STUD, FEED PUMP",2,,,,,,,,,
4,2,,119810-51040,, CAMSHAFT,1,,,,,,,,,
5,2,,129155-51050,, "BALL BEARING, THRUST",1,,,,,,,,,
5-1,2,,129155-51051,, RETAINER,1,,,,,R,,M2-02026,E/#53934,,,,,,,,,I
6,2,,129208-51060,, SUPPORT,1,,,,,,,,,
7,2,,122710-51090,, KEY,1,,,,,,,,,
8,2,,129108-51100,, "PLUNGER W/BARREL",3,,,,,,,,,
11,2,,129155-51140,, "PIN, BARREL LOCKING",3,,,,,,,,,
12,2,,174307-51170,, "RETAINER A",3,,,,,,,,,
13,2,,129155-51180,, "SPRING SHOE, PLUNGER",3,,,,,,,,,
14,2,,124950-51190,, "SPRING, PLUNGER",3,,,,,,,,,
15,2,,129155-51200,, "TAPPET ASSY",3,,,,,,,,,
22,2,,129155-51270,, "LOCKING, TAPPET",3,,,,,,,,,
23,2,,129155-51280,, "O-RING S6",3,,,,,,,,,
24,2,,129505-51300,, "VALVE W/SEAT, DELIV.",3,,,,,,,,,
27,2,,129155-51320,, "SPRING, DELIV. VALVE",3,,,,,,,,,
28,2,,129155-51340,, "GUARD, DELIVERY VALVE",3,,,,,,,,,
29,2,,124550-51350,, "GASKET, DELIVERY",3,,,,,,,,,
30,2,,124550-51370,, "O-RING, DELIVERY",3,,,,,,,,,
31,2,,129155-51370,, "STOPPER, VALVE",3,,,,,,,,,
32,2,,129155-51380,, "LOCKING (A)",2,,,,,,,,,
33,2,,129155-51390,, "LOCKING (B)",2,,,,,,,,,
34,2,,129155-51400,, DEFLECTOR,1,,,,,,,,,
35,2,,129155-51410,, "CHECK BOLT, DEFLECTOR",1,,,,,,,,,
36,2,,129155-51420,, "PLUG (M16)",1,,,,,,,,,
37,2,,129155-51450,, "SHIM SET, ADJUSTING",1,,,,,,,,,
42,2,,129155-51500,, "RACK, CONTROL",1,,,,,,,,,
43,2,,129155-51521,, "BUSH, RACK",1,,,,,,,,,
44,2,,129155-51530,, "SPACER, AUX. SPRING",1,,,,,,,,,
45,2,,129155-51540,, CIRCLIP,1,,,,,,,,,
46,2,,129155-51550,, "PINION, CONTROL",3,,,,,,,,,
47,2,,122117-51560,, "SCREW, PINION",3,,,,,,,,,
47-1,2,,129100-51570,, SCREW,3,,,,,N,,M1-00186,E/#49105,,,,,,,,,
48,2,,174307-51560,, PINION,3,,,,,,,,,
49,2,,129155-51570,, "PLUG (M12)",1,,,,,,,,,
50,2,,129155-51580,, O-RING,1,,,,,,,,,
51,2,,129155-51591,, "SPRING, RACK",1,,,,,,,,,
52,2,,129155-51600,, "SHIM PACK",3,,,,,,,,,
71,2,,129155-51701,, COVER,1,,,,,,,,,
72,2,,129155-51710,, "GASKET, LOWER COVER",1,,,,,,,,,
72-1,2,,129155-51711,, PACKING,1,,,,,N,,M1-00113,E/#46241,,,,,,,,,
73,2,,129155-51751,, "COVER, SIDE",1,,,,,,,,,
74,2,,129155-51760,, "GASKET, SIDE COVER",1,,,,,,,,,
75,2,,129155-51790,, "LOCKING, RACK",1,,,,,,,,,
76,2,,129156-51910,, "LABEL, CAUTION",1,,,,,,,,,
77,2,,129155-51930,, "SPACER T=3.25",1,,,,,,,,,
78,2,,129155-51940,, "SPACER T=1.5",1,,,,,,,,,
79,2,,22217-050000,, "SPRING WASHER 5",2,,,,,,,,,
80,2,,22217-060000,, "SPRING WASHER 6",2,,,,,,,,,
81,2,,22351-050010,, "SPRING PIN 5X10",2,,,,,,,,,
82,2,,24101-063034,, "BALL BEARING",1,,,,,,,,,
83,2,,24341-000160,, "O-RING 1A S-16.0",1,,,,,,,,,
84,2,,26022-050122,, "SCREW M 5X 12",8,,,,,,,,,
85,2,,26022-060162,, "SCREW M 6X 16",4,,,,,,,,,
86,2,,26116-050302,, "BOLT M 5X 30 PLATED",2,,,,,,,,,
87,2,,26716-060002,, "NUT 6",2,,,,,,,,,
88,2,,22190-160002,, "SEAL WASHER 16S",1,,,,,,,,,
90,2,,129255-52000,, "COVER ASSY, FEED PUM",1,,,,,,,,,
90A,3,,129155-52050,, GASKET,1,,,,,,,,,
91,3,,129100-52200,, COVER,1,,,,,,,,,
92,2,,129208-54500,, "FLANGE ASSY",1,,,,,,,,,
94,3,,22217-120000,, "SPRING WASHER",1,,,,,,,,,

95,3,,26716-120002,, "NUT 12",1,,,,,,,,,,,,,,,,,,,,,
96,1,,129150-25301,, "BOLT,FI-P",4,,,,,,,,,,,,,,,,,,,,,
97,1,,129150-25931,, GEAR,1,,,,,,,,,,,,,,,,,,,,,

Silverhorn.CO.UK

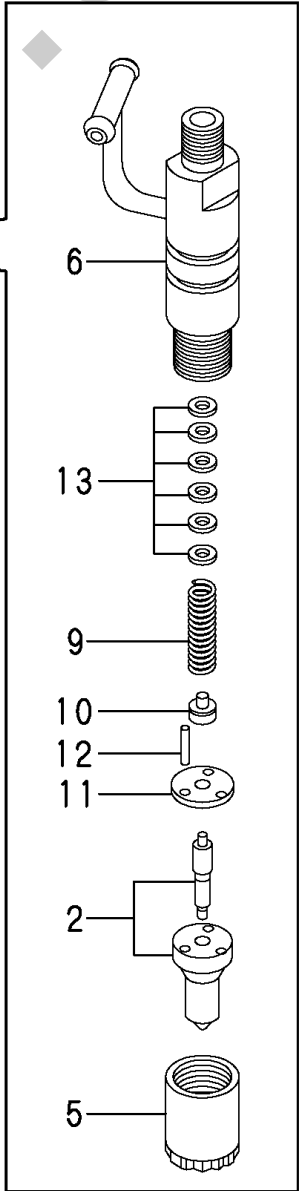
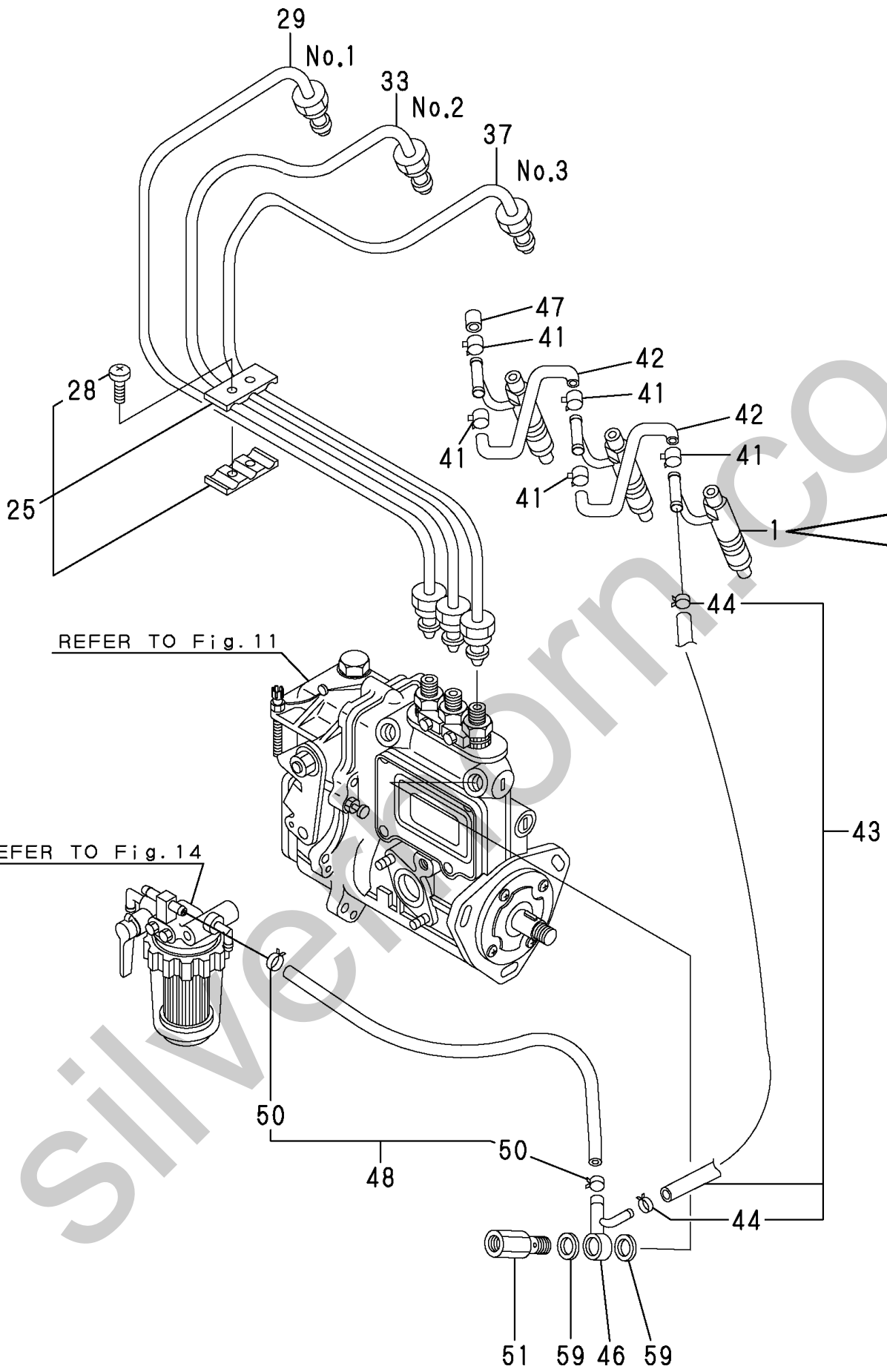


1,2,,129155-51280,, "O-RING S6",1,,,,,,,,,,,,,,,,,,,,,
3,2,,129052-61050,, PACKING,1,,,,,,,,,,,,,,,,,,,,,
4,2,,129052-61060,, COVER,1,,,,,,,,,,,,,,,,,,,,,
5,2,,129052-61070,, PACKING,1,,,,,,,,,,,,,,,,,,,,,
6,2,,129155-61120,, "LINK L=30(MARK 0",1,,,,,1,,,,,1,,,,,
7,2,,129155-61130,, "LINK L=31(MARK 1",1,,,,,1,,,,,1,,,,,
8,2,,129155-61140,, "LINK L=30.5(MARK 05)",1,,,,,1,,,,,1,,,,,
9,2,,129486-61201,, "WEIGHT ASSY,GOVERNOR",1,,,,,,,,,,,,,,,,,,,,,
13,2,,129155-61341,, SLEEVE,1,,,,,2,,,,,2,,,,,
14,2,,129155-61350,, SLEEVE,1,,,,,2,,,,,2,,,,,
15,2,,129155-61360,, SLEEVE,1,,,,,2,,,,,2,,,,,
16,2,,129100-61400,, "SHAFT ASSY, CONTROL",1,,,,,,,,,,,,,,,,,,,,,
19,2,,129155-61430,, "SPACER, SHAFT",1,,,,,,,,,,,,,,,,,,,,,
23,2,,129155-61450,, "BOLT, REVOL. LIMIT",1,,,,,,,,,,,,,,,,,,,,,
24,2,,129155-61460,, "BOLT, IDLE LIMIT",1,,,,,,,,,,,,,,,,,,,,,
25,2,,129155-61480,, "SPACER ASSY",2,,,,,,,,,,,,,,,,,,,,,
30,2,,129052-61390,, "SHAFT, GOV. LEVER",1,,,,,,,,,,,,,,,,,,,,,
31,2,,119908-61501,, "LEVER ASSY,GOVERNOR",1,,,,,,,,,,,,,,,,,,,,,
32,3,,174307-51700,, "SHIM SET",2,,,,,,,,,,,,,,,,,,,,,
50,3,,129486-61540,, "SPRING, SET",1,,,,,,,,,,,,,,,,,,,,,
58,2,,129155-61830,, "O-RING S10",1,,,,,,,,,,,,,,,,,,,,,
59,2,,119660-61901,, "RETAINER, SHAFT",1,,,,,,,,,,,,,,,,,,,,,
60,2,,129155-61950,, "BOLT, WASHER BASED",1,,,,,,,,,,,,,,,,,,,,,
61,2,,124550-66370,, "LOCK NUT M 6",1,,,,,,,,,,,,,,,,,,,,,
61-1,2,,129209-61370,, "NUT M6",1,,,,,S,,M1-01226,E/#52471,,,,,I
62,2,,22117-040000,, "WASHER 4",1,,,,,,,,,,,,,,,,,,,,,
63,2,,22190-060003,, "SEAL WASER 6",1,,,,,,,,,,,,,,,,,,,,,
64,2,,22190-100002,, "SEAL WASHER 10S",1,,,,,,,,,,,,,,,,,,,,,
65,2,,22190-120002,, "SEAL WASHER 12",2,,,,,,,,,,,,,,,,,,,,,
66,2,,22287-120000,, "WASHER 12",1,,,,,,,,,,,,,,,,,,,,,
67,2,,22372-040000,, "SNAP PIN 4",2,,,,,,,,,,,,,,,,,,,,,
68,2,,23887-100002,, "PLUG 10",1,,,,,,,,,,,,,,,,,,,,,
69,2,,24341-000280,, "O-RING 1A S-28.0",1,,,,,,,,,,,,,,,,,,,,,
70,2,,26106-060102,, "BOLT M 6X 10 PLATED",1,,,,,,,,,,,,,,,,,,,,,
71,2,,26106-060102,, "BOLT M 6X 10 PLATED",1,,,,,,,,,,,,,,,,,,,,,
72,2,,26106-060102,, "BOLT M 6X 10 PLATED",4,,,,,,,,,,,,,,,,,,,,,
73,2,,26106-060142,, "BOLT M 6X 14 PLATED",2,,,,,,,,,,,,,,,,,,,,,
74,2,,26106-060202,, "BOLT M 6X 20 PLATED",6,,,,,,,,,,,,,,,,,,,,,
75,2,,26756-060002,, "LOCK NUT 6",1,,,,,,,,,,,,,,,,,,,,,
76,2,,26776-120002,, "LOCK NUT M12 PLATED",1,,,,,,,,,,,,,,,,,,,,,
76A,2,,26776-120002,, "LOCK NUT M12 PLATED",1,,,,,,,,,,,,,,,,,,,,,
77,2,,26366-080002,, "NUT M 8",1,,,,,,,,,,,,,,,,,,,,,
78,2,,129100-61440,, "LEVER, CONTROL",1,,,,,,,,,,,,,,,,,,,,,
79,2,,129100-61650,, "SPRING, FUEL CONTROL",1,,,,,,,,,,,,,,,,,,,,,
80,2,,129489-61700,, "SPRING, GOVERNOR",1,,,,,,,,,,,,,,,,,,,,,
81,2,,119233-77931,, "SOLENOID, STOP",1,,,,,,,,,,,,,,,,,,,,,
81-1,2,,119233-77932,, "SOLENOID, STOP",1,,,,,R,,TN-01273,E/#51804,,,,,I
82,2,,129100-61930,, "NUT, CAP",1,,,,,,,,,,,,,,,,,,,,,
82-1,2,,129209-61930,, "CAP NUT",1,,,,,N,,M1-01226,E/#52471,,,,,I
83,2,,120323-61470,, "BOLT, CONTROL",1,,,,,,,,,,,,,,,,,,,,,
84,2,,171353-61550,, "ANGLEICH ASSY",1,,,,,,,,,,,,,,,,,,,,,
116,1,,135210-61090,, LEAD,1,,,,,Z,,TE-01408,E/#52471,,,,,I
117,1,,22451-060000,, "WIRE 0.6",1,,,,,Z,,TE-01408,E/#52471,,,,,I
118,1,,129209-61970,, PLATE,1,,,,,W,,M1-01226,E/#52471,,,,,I
119,1,,23414-120016,, "GASKET 12",1,,,,,W,,M1-01226,E/#52471,,,,,I
120,1,,129209-61940,, "CASE ASSY",1,,,,,W,,TE-01408,E/#52471,,,,,I
122,2,,24311-000150,, "O-RING 1A P-15.0",1,,,,,W,,TE-01408,E/#52471,,,,,I
124,1,,119285-66650,, "CAP, HIGH-IDLE",1,,,,,W,3,TE-01408,E/#52471,,,,,I



1,1,,719810-53100,, "VALVE ASSY, F.INJECT",3,,,,,,,,,,,,,,,,,,,,,
2,2,,119810-53000,, "NOZZLE ASSY,F.INJECT",3,,,,,,,,,,,,,,,,,,,,,
5,2,,114250-53080,, "NUT, NOZZLE CASE",3,,,,,,,,,,,,,,,,,,,,,
6,2,,129100-53100,, "HOLDER ASSY, NOZZLE",3,,,,,,,,,,,,,,,,,,,,,
9,2,,114250-53120,, "SPRING, NOZZLE",3,,,,,,,,,,,,,,,,,,,,,
10,2,,114250-53130,, "SEAT, NOZZLE SPRING",3,,,,,,,,,,,,,,,,,,,,,
11,2,,114250-53140,, "PLATE, STOP",3,,,,,,,,,,,,,,,,,,,,,
12,2,,114250-53210,, "PIN,6,,,,,,,,,,,,,,,,,,,,,
13,2,,114250-53400,, "SHIM PACK",3,,,,,,,,,,,,,,,,,,,,,
25,1,,129150-59120,, "RETAINER, INJ. PIPE",1,,,,,,,,,,,,,,,,,,,,,
28,2,,129150-59131,, "BOLT M4X14,HEX.SCKT.",2,,,,,,,,,,,,,,,,,,,,,
29,1,,119810-59810,, "PIPE, FUEL INJECTION",1,,,,,,,,,,,,,,,,,,,,,
33,1,,119810-59820,, "PIPE, FUEL INJECTION",1,,,,,,,,,,,,,,,,,,,,,
37,1,,119810-59830,, "PIPE, FUEL INJECTION",1,,,,,,,,,,,,,,,,,,,,,
41,1,,124066-59100,, "CLAMP 8",5,,,,,,,,,,,,,,,,,,,,,
42,1,,121250-59550,, "PIPE, FUEL",2,,,,,,,,,,,,,,,,,,,,,
43,1,,119840-59500,, "PIPE ASSY, RETURN",1,,,,,,,,,,,,,,,,,,,,,
44,2,,124066-59100,, "CLAMP 8",2,,,,,,,,,,,,,,,,,,,,,
46,1,,119840-59570,, "JOINT",1,,,,,,,,,,,,,,,,,,,,,
47,1,,129150-59580,, "CAP",1,,,,,,,,,,,,,,,,,,,,,
48,1,,129210-59090,, "PIPE ASSY, FUEL OIL",1,,,,,,,,,,,,,,,,,,,,,
50,2,,124766-59050,, "CLAMP 12",2,,,,,,,,,,,,,,,,,,,,,
51,1,,129100-59951,, "VALVE ASSY, CHECK",1,,,,,,,,,,,,,,,,,,,,,
59,1,,22190-120002,, "SEAL WASHER 12",2,,,,,,,,,,,,,,,,,,,,,

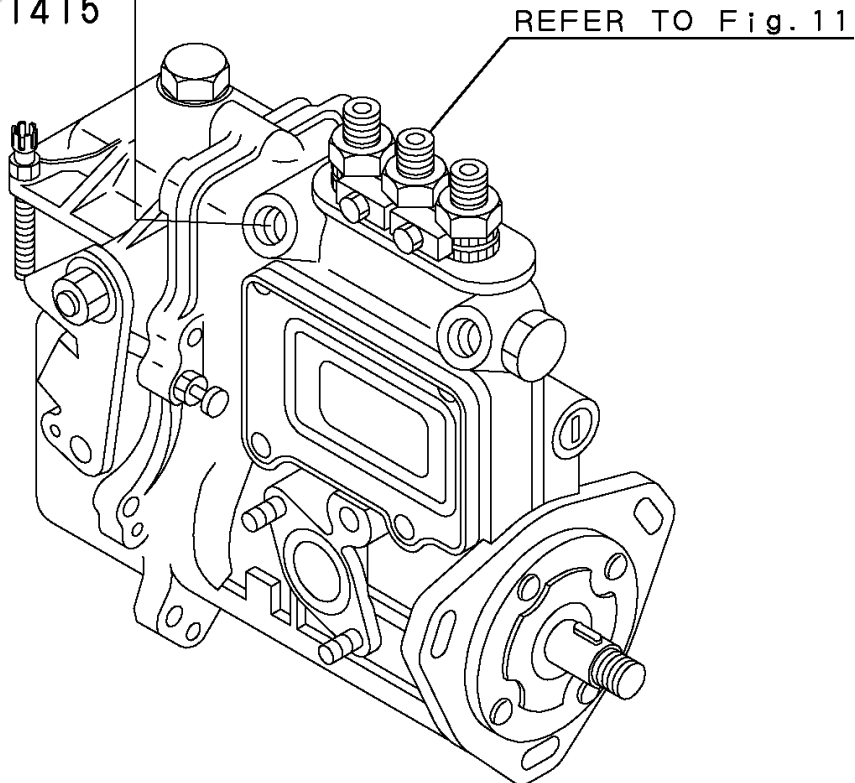
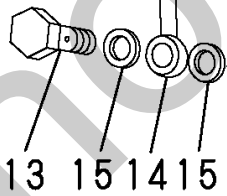
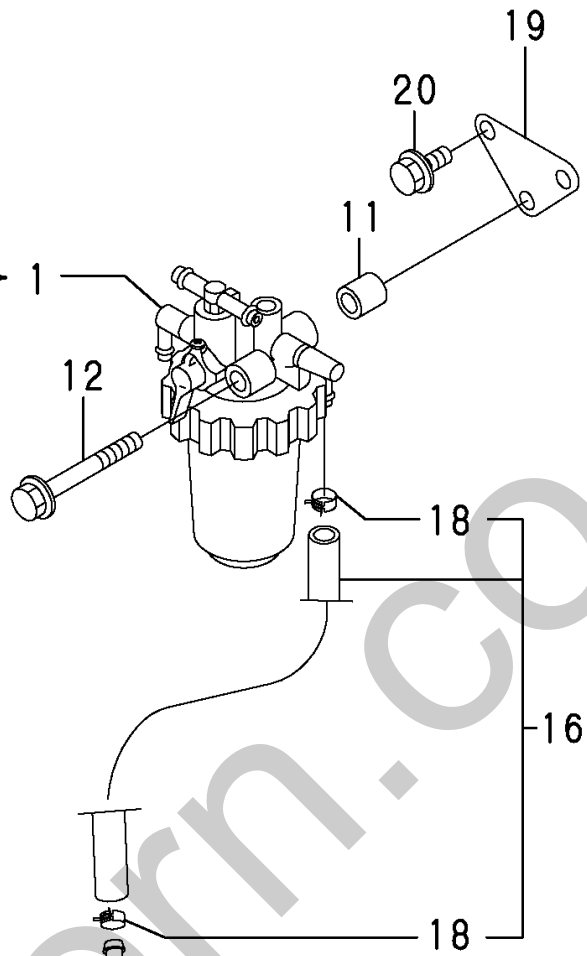
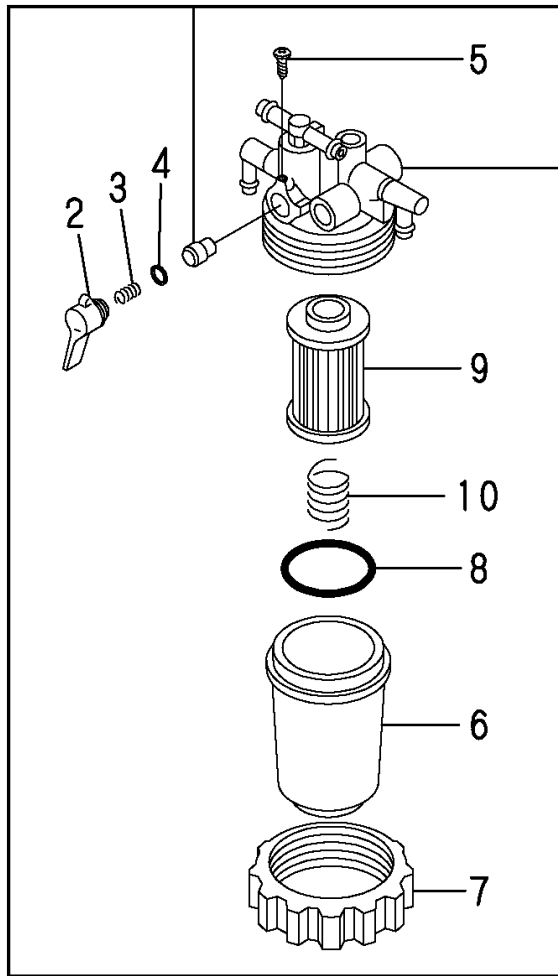
Silverhorn.CO.UK



Silverline.co.uk

1,1,,119833-55620,, "STRAINER ASSY, FUEL",1,,,,,,,,,,,,,
2,2,,119810-55340,, LEVER,1,,,,,,,,,,,,,
3,2,,104200-55330,, "SPRING, TAPER VALVE",1,,,,,,,,,,,,,
4,2,,24311-240100,, "O-RING 1A P-10A",1,,,,,,,,,,,,,
5,2,,104200-55750,, "SCREW M 4",1,,,,,,,,,,,,,
6,2,,121254-55510,, "CUP, STRAINER",1,,,,,,,,,,,,,
7,2,,110250-55610,, "RING, RETAINING",1,,,,,,,,,,,,,
8,2,,102103-55520,, O-RING,1,,,,,,,,,,,,,
9,2,,119810-55650,, ELEMENT,1,,,,,,,,,,,,,
10,2,,121250-55620,, SPRING,1,,,,,,,,,,,,,
11,1,,106500-44810,, SPACER,1,,,,,,,,,,,,,
12,1,,26014-080752,, "BOLT M 8X 85",1,,,,,,,,,,,,,
13,1,,103854-39140,, "BOLT, PIPE JOINT",1,,,,,,,,,,,,,
14,1,,101304-59020,, "JOINT 12, PIPE",1,,,,,,,,,,,,,
15,1,,22190-120002,, "SEAL WASHER 12",2,,,,,,,,,,,,,
16,1,,129210-59030,, "PIPE ASSY, FUEL OIL",1,,,,,,,,,,,,,
18,2,,124766-59050,, "CLAMP 12",2,,,,,,,,,,,,,
19,1,,119813-55900,, BRACKET,1,,,,,,,,,,,,,
20,1,,26106-080202,, "BOLT M 8X 20 PLATED",2,,,,,,,,,,,,,

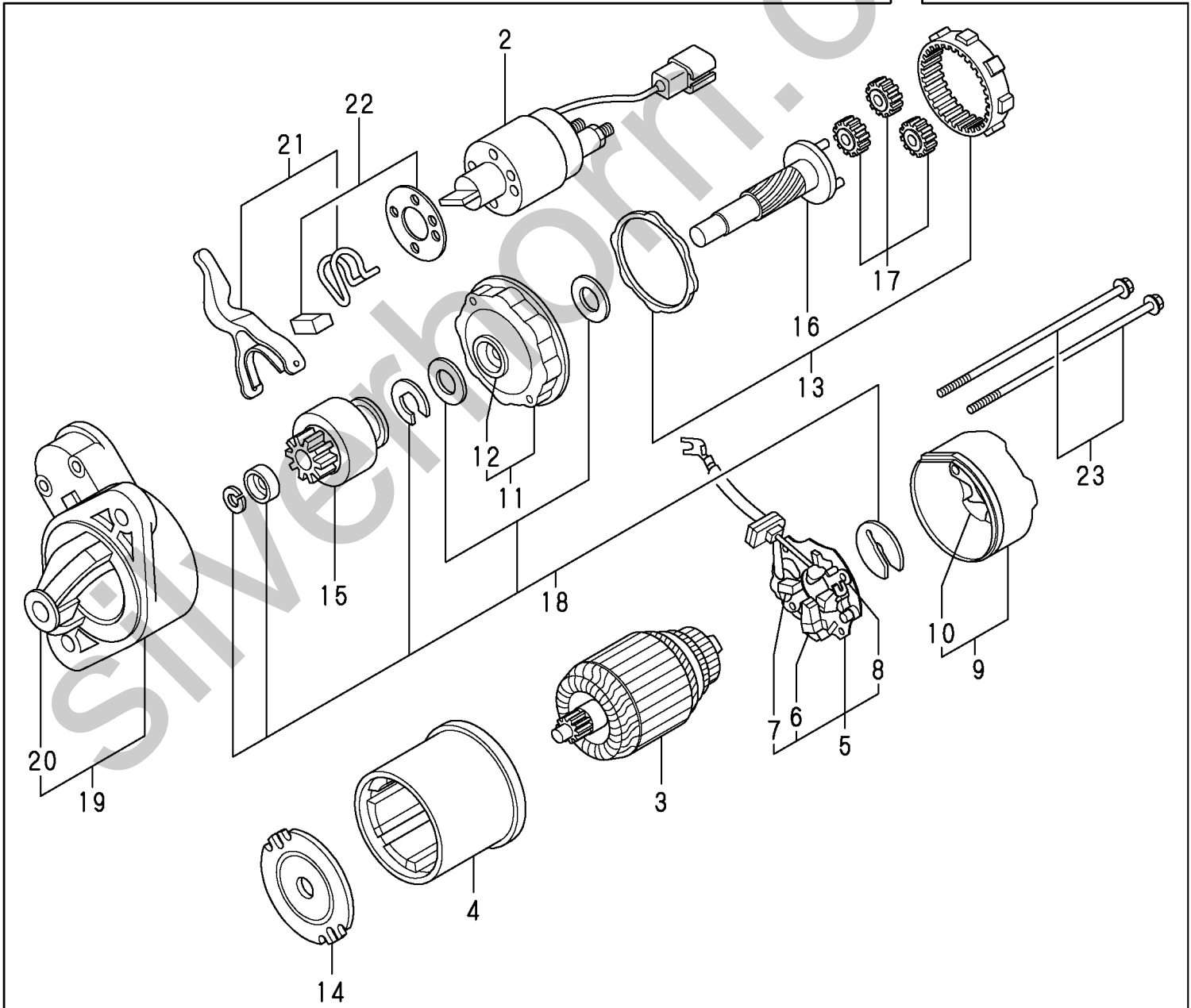
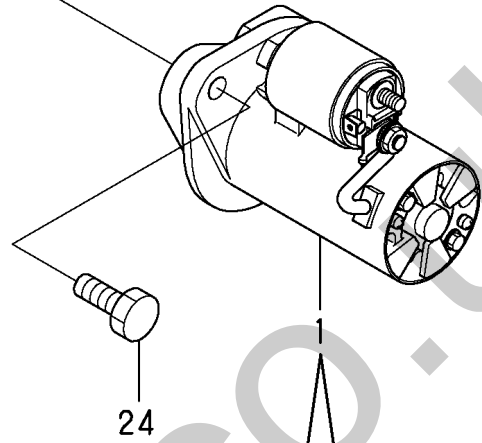
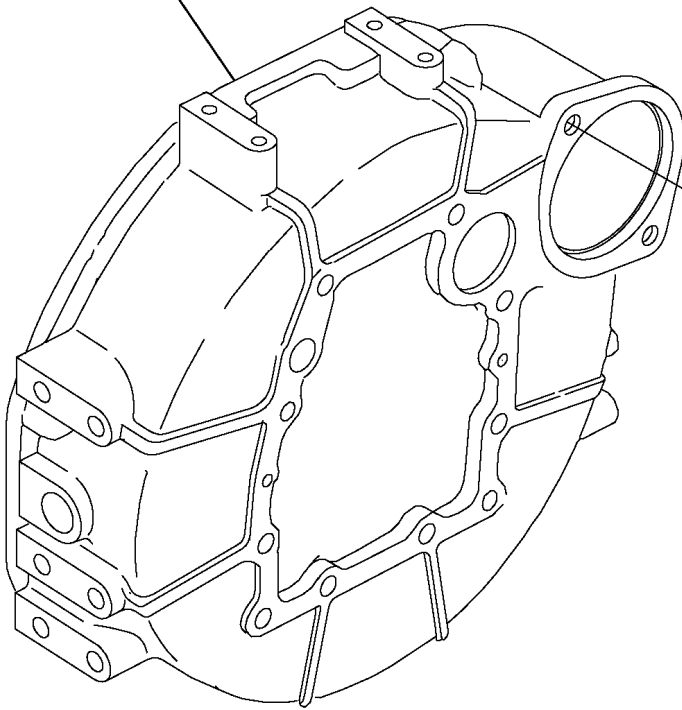
Silverhorn.CO.UK



1,1,,129698-77010,,STARTER,1,,,,,,,,,,,,,
2,2,,129698-77020,, "MAGNETIC SWITCH ASSY",1,,,,,,,,,,,,,
3,2,,129698-77100,, "ARMATURE ASSY",1,,,,,,,,,,,,,
4,2,,129698-77110,, "COIL ASSY, FIELD",1,,,,,,,,,,,,,
5,2,,129698-77120,, "HOLDER ASSY,BRUSH",1,,,,,,,,,,,,,
6,3,,129698-77130,, "BRUSH (-)",2,,,,,,,,,,,,,
7,3,,129698-77140,, "BRUSH(+) SET",1,,,,,,,,,,,,,
8,3,,129698-77150,, "SPRING, BRUSH",4,,,,,,,,,,,,,
9,2,,129698-77160,, "COVER ASSY, REAR",1,,,,,,,,,,,,,
9-1,2,,129698-77161,, "COVER ASSY, REAR",1,,,,,R,,JH-00029,E/#47127,,,,,
10,3,,129698-77170,, "REAR COVER METAL",1,,,,,,,,,,,,,
11,2,,129698-77180,,BRACKET,1,,,,,,,,,,,,,
12,3,,129698-77190,,BRACKET,1,,,,,,,,,,,,,
13,2,,129698-77200,, "INTERNAL GEAR",1,,,,,,,,,,,,,
14,2,,129698-77210,,BRACKET,1,,,,,,,,,,,,,
15,2,,129698-77220,, "PINION ASSY",1,,,,,,,,,,,,,
16,2,,129698-77230,,SHAFT(PINION,1,,,,,,,,,,,,,
17,2,,129698-77240,,GEAR,3,,,,,,,,,,,,,
18,2,,129698-77250,, "WASHER SET",1,,,,,,,,,,,,,
19,2,,129698-77260,, "HOUSING ASSY, GEARS",1,,,,,,,,,,,,,
20,3,,X2114535200,, "METAL, STARTER",1,,,,,,,,,,,,,
21,2,,129698-77270,, "LEVER, SHIFT",1,,,,,,,,,,,,,
22,2,,129698-77280,, "COVER ASSY, DUST",1,,,,,,,,,,,,,
23,2,,124195-77770,, "THROUGH BOLT",2,,,,,,,,,,,,,
24,1,,26116-120252,, "BOLT M12X 25 PLATED",2,,,,,,,,,,,,,

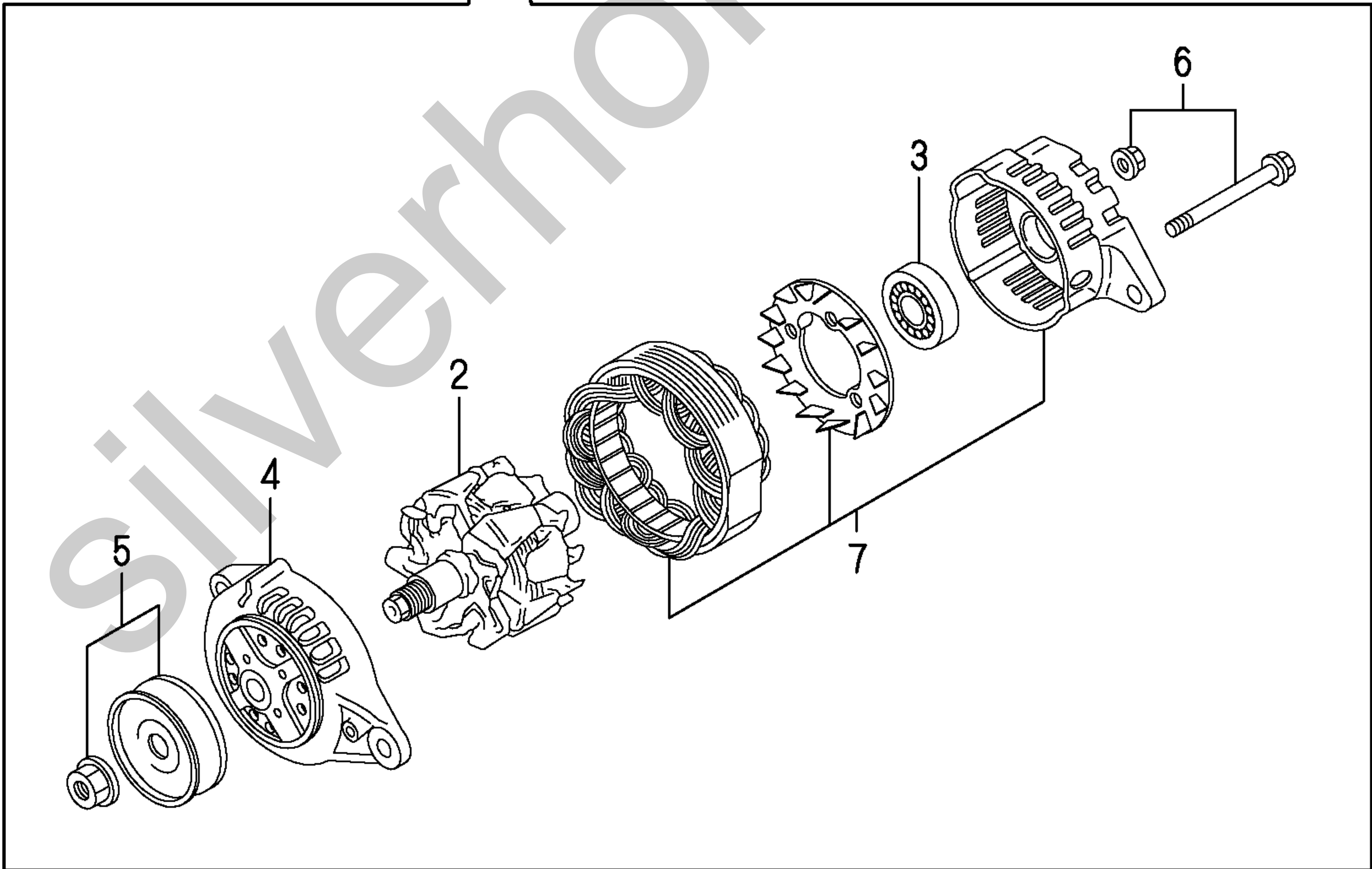
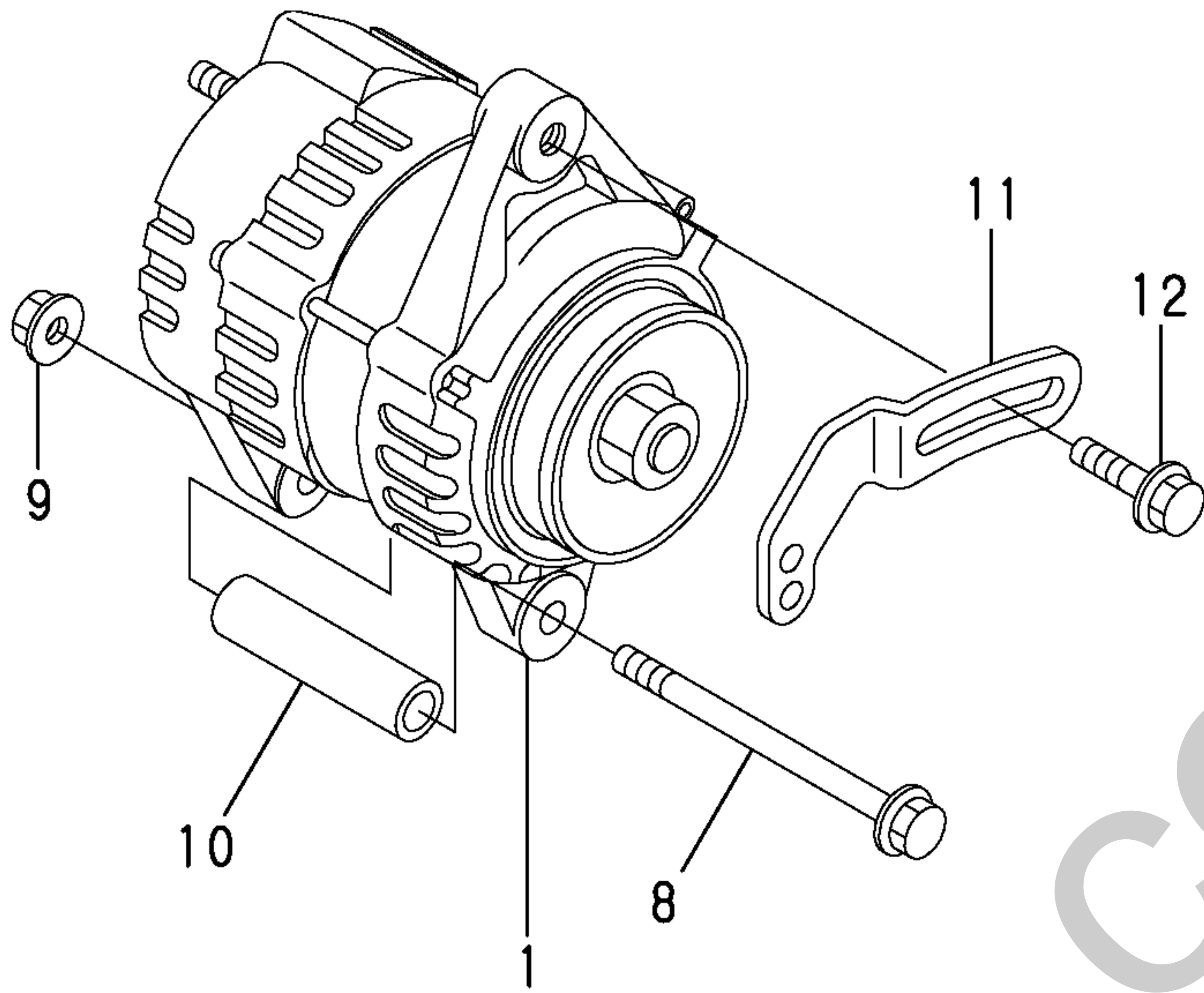
Silverhorn.CO.UK

REFER TO Fig. 3



1,1,,119836-77201,, "GENERATOR (AC)",1,,,,,,,,,,,,,
2,2,,129612-77700,, "ROTOR ASSY",1,,,,,,,,,,,,,
3,2,,129612-77710,, "BALL BEARING",1,,,,,,,,,,,,,
4,2,,129612-77730,, "FRONT BRACKET ASSY",1,,,,,,,,,,,,,
5,2,,129612-77740,, PULLEY,1,,,,,,,,,,,,,
6,2,,129612-77750,, "SCREW KIT",1,,,,,,,,,,,,,
7,2,,119836-77920,, "BRACKET ASSY, REAR",1,,,,,,,,,,,,,
8,1,,129953-77201,, BOLT,1,,,,,,,,,,,,,
8-1,1,,129136-77251,, "BOLT M 8X110",1,,,,,R,,TN-01084,E/#50586,,,,,
9,1,,129612-77260,, "NUT ,GENERATOR",1,,,,,,,,,,,,,
10,1,,119820-77340,, SPACER,1,,,,,,,,,,,,,
11,1,,119823-77330,, ADJUSTER,1,,,,,,,,,,,,,
12,1,,119810-77340,, BOLT,1,,,,,,,,,,,,,

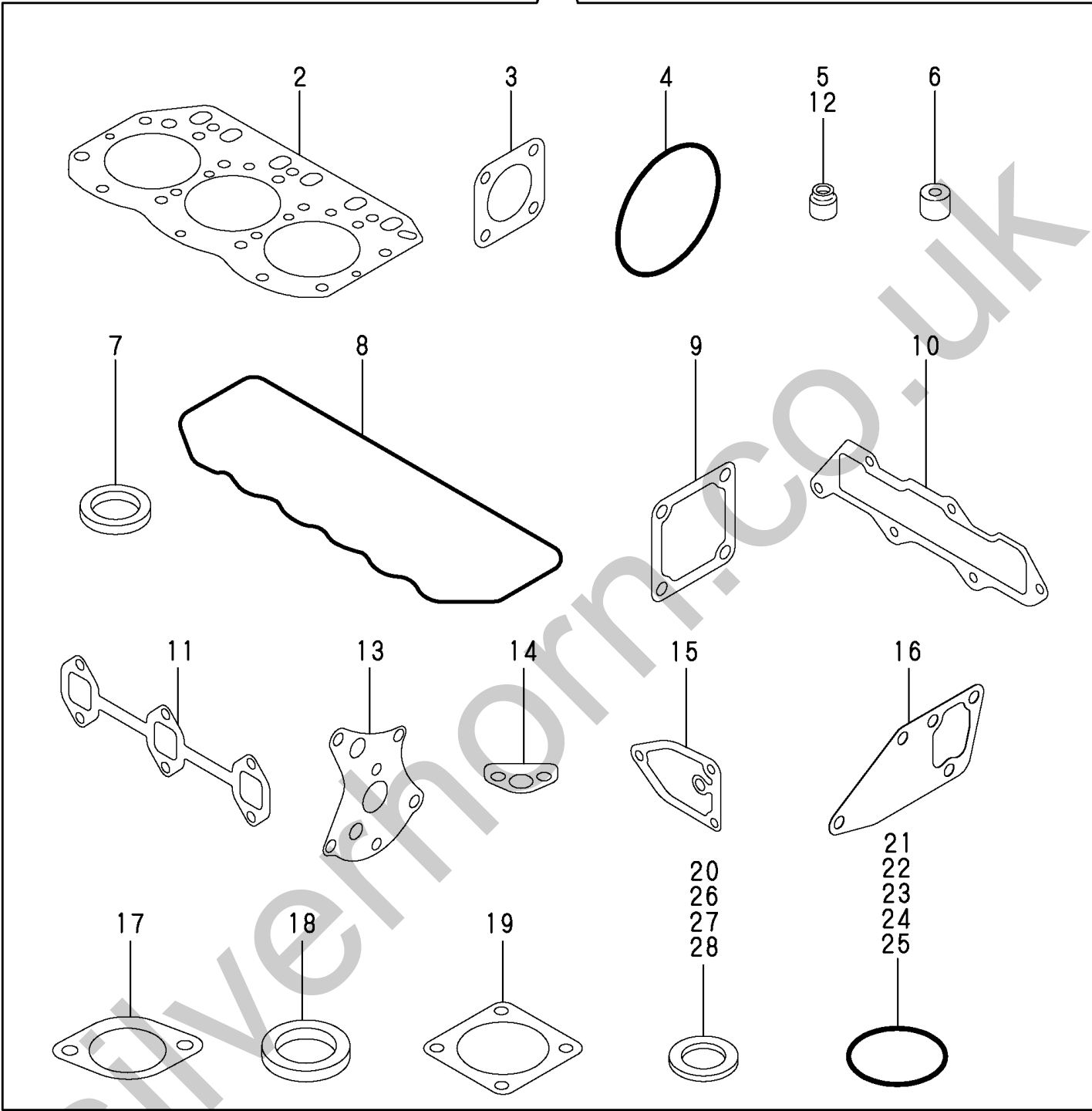
Silverhorn.CO.UK



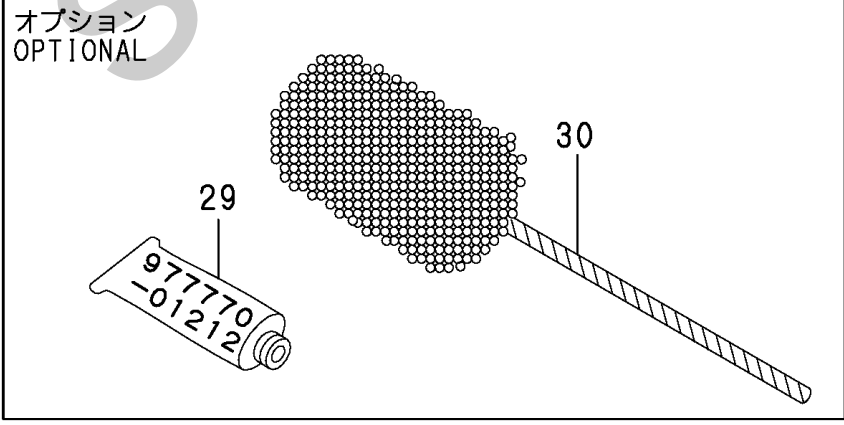
1,1,,719813-92650,, "GASKET SET(NON-ASB.)",1,,,,,,,,1,,,,,,,,,
2,2,,119818-01330,, "GASKET, CYL. HEAD",1,,,,,,,,,
3,2,,124240-01883,, "GASKET, (NON-ASB.)",1,,,,,,,,,
4,2,,121850-51960,, "O-RING, F.I.PUMP",1,,,,,,,,,
5,2,,124160-11340,, "SEAL, VALVE STEM",3,,,,,,,,,
6,2,,119625-11870,, "PROTECTOR, NOZZLE",3,,,,,,,,,
7,2,,119625-11880,, "SEAT, NOZZLE",3,,,,,,,,,
8,2,,119865-11310,, "GASKET, BONNET",1,,,,,,,,,
9,2,,129150-77511,, "GASKET, (NON-ASB.)",1,,,,,,,,,
10,2,,119813-12110,, "GASKET,INT. MANIFOLD",1,,,,,,,,,
11,2,,119810-13110,, "GASKET, EXH.MANIFOLD",1,,,,,,,,,
12,2,,124950-11340,, "SEAL, VALVE STEM",3,,,,,,,,,
13,2,,129150-32020,, "GASKET, L.O. PUMP",1,,,,,,,,,
14,2,,129150-35041,, "GASKET, (NON-ASB.)",1,,,,,,,,,
15,2,,129150-35111,, "GASKET, (NON-ASB.)",1,,,,,,,,,
16,2,,129486-42050,, "GASKET",1,,,,,,,,,
17,2,,129795-49551,, "GASKET, (NON-ASB.)",1,,,,,,,,,
18,2,,129150-49811,, "GASKET, (NON-ASB.)",1,,,,,,,,,
19,2,,124701-11911,, "GASKET, (NON-ASB.)",1,,,,,,,,,
20,2,,129155-52050,, "GASKET",1,,,,,,,,,
21,2,,24311-000120,, "O-RING 1A P 12.0",3,,,,,,,,,
22,2,,24311-000160,, "O-RING 1A P-16.0",3,,,,,,,,,
23,2,,24311-000320,, "O-RING 1A P-32.0",2,,,,,,,,,
24,2,,24341-000500,, "O-RING 1A S-50.0",1,,,,,,,,,
25,2,,24341-000240,, "O-RING 1A S-24.0",1,,,,,,,,,
26,2,,22190-100002,, "SEAL WASHER 10S",2,,,,,,,,,
27,2,,124465-44950,, "GASKET 16",2,,,,,,,,,
28,2,,22190-120002,, "SEAL WASHER 12",2,,,,,,,,,
29,1,,977770-01212,, "GASKET, LIQUID",1,,,,,1,,,,,
30,1,,129400-92420,, "FLEX HORN",1,,,,,1,,,,,



1



オプション
OPTIONAL



0,Y00B6392
1,001,, "ENGINE 3TNE78A-EBV"
2,1,, "CYLINDER BLOCK",3TNE78A-EBV,,,
2,2,, "GEAR HOUSING",3TNE78A-EBV,,,
2,3,, "FLYWHEEL HOUSING&LUB.OIL SUMP",3TNE78A-EBV,,,
2,4,, "CYLINDER HEAD & BONNET",3TNE78A-EBV,,,
2,5,, "SUCTION MANIFOLD",3TNE78A-EBV,,,
2,6,, "EXHAUST MANIFOLD & SILENCER",3TNE78A-EBV,,,
2,7,, "CAMSHAFT & DRIVING GEAR",3TNE78A-EBV,,,
2,8,, "CRANKSHAFT & PISTON",3TNE78A-EBV,,,
2,9,, "LUB.OIL SYSTEM",3TNE78A-EBV,,,
2,10,, "COOLING WATER SYSTEM",3TNE78A-EBV,,,
2,11,, "FUEL INJECTION PUMP",3TNE78A-EBV,,,
2,12,, GOVERNOR,3TNE78A-EBV,,,
2,13,, "FUEL INJECTION PIPE",3TNE78A-EBV,,,
2,14,, "FUEL OIL PIPE",3TNE78A-EBV,,,
2,15,, "STARTING MOTOR",3TNE78A-EBV,,,
2,16,, GENERATOR,3TNE78A-EBV,,,
2,17,, "GASKET SET & TOOL",3TNE78A-EBV,,,
,

Silverhorn.CO.UK